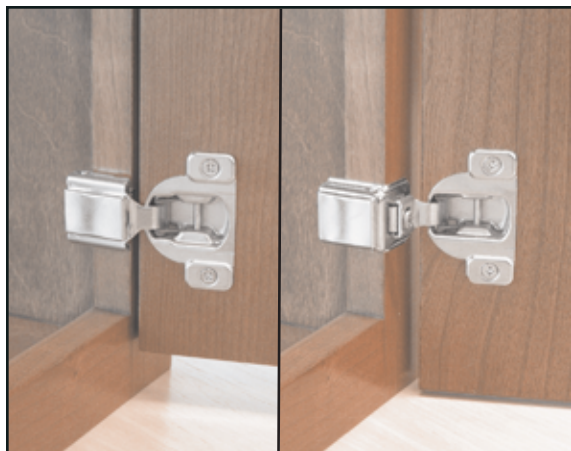


# COMPACT cover caps

## 38N cover caps

## 38/39C cover caps



- Available for the new COMPACT 38N and COMPACT 38/39C hinges
- Hinges have been modified to accept cover cap (note change in hinge part numbers - reference product info #219)
- Clip on attachment/removal
- Available blank or with printed custom logo (minimums apply)
- Steel, nickel plated

For COMPACT 38N hinges

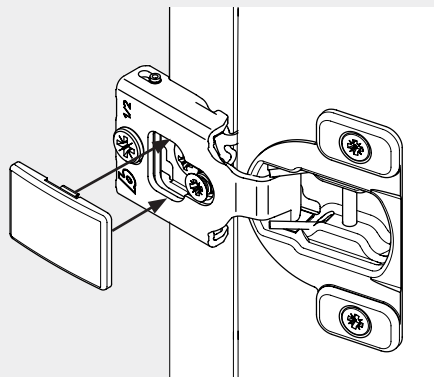
38N3508

For COMPACT 38/39C hinges

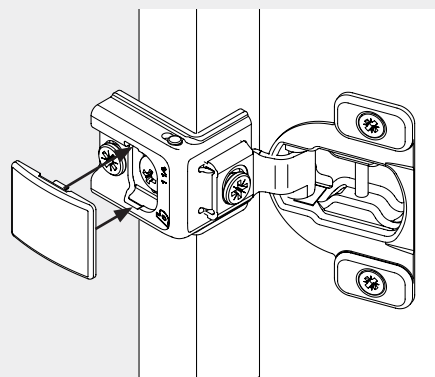
38C3508

## Attachment

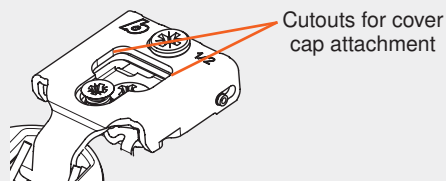
### 38N



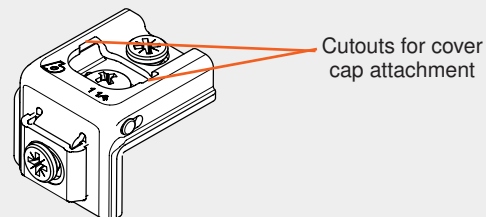
### 38/39C



### 38N cutouts



### 38/39C cutouts



**Note:** Custom logo available. Consult your Blum representative for minimum quantities and lead times on custom logos.