

2012

Furniture, Cabinet and Display Lighting Systems



Hera[®]
Light Years Ahead.

ARF-LED

Premium Line

Big6-LED

LED Remote Control Dimmer

Hera LEDs

KB12-LED

hLite FluoroSpot Halogen-Spotlights PremiumLine KB12|KB12 ARF20|ARFS20 CBS20|AR20 Arclamp EH24 PremiumSets Wave SteelTech TriTech ArcTech EcoLine ER1|ES1 Xenon Transform
UK-120 TW Dimmers ETD1|ETD 1/TP ERD1 BinCode ARFO-LED KB12-LED KBS12-LED EH24-LED ER/EQ-LED HO-LEDTape-LED Stick2-LED TwinStick2-LED LED Power Supplies 24V LEDSwitchi
1|LED 1/TP ERD1 BinCode ARFO-LED KB12-LED KBS12-LED EH24-LED ER/EQ-LED HO-LEDTape-LED Stick2-LED TwinStick2-LED LED Power Supplies 24V LEDSwitching Accessori
LED Power Supplies 24V LEDSwitching Accessories

Index



Kitchen before



and after Lighting

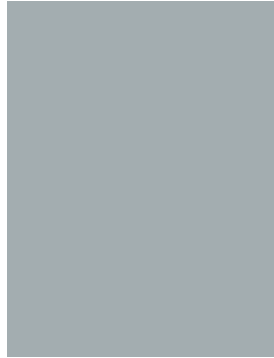
| | Products | Page |
|--|---|---------|
| About Hera | | 3 |
| LED Lighting | General Information | 4 |
| | Panel-LED | 5 |
| LED Linear <i>NEW</i> | SlimLite XL-LED | 6 – 7 |
| | Stick2-LED | 8 – 9 |
| | TwinStick2-LED | 10 – 11 |
| | Tape-LED | 12 – 13 |
| | LumiMax-LED | 14 – 15 |
| LED Spotlights <i>NEW</i> | Tower-LED | 16 – 17 |
| | QPAD-LED | 18 – 19 |
| | <i>NEW</i> LPAD-LED | 20 – 21 |
| | ARF-LED | 22 – 23 |
| | ARFQ-LED | 24 – 25 |
| | KB12-LED/KBS12-LED | 26 – 27 |
| | <i>NEW</i> ER/EQ-LED | 28 – 29 |
| <i>NEW</i> | Eco-LED | 30 – 31 |
| | ER1/ES1-LED | 32 – 33 |
| | EYE-LED | 34 – 35 |
| | EH24-LED | 36 – 37 |
| | HO-LED | 38 – 39 |
| LED Speciality | BIG6-LED | 40 – 41 |
| | Flex-LED | 42 – 43 |
| LED Power Supplies, Dimmers and Accessories | LED Constant Voltage Power Supplies | 44 |
| | LED Dimming Accessories | 45 – 46 |
| | LED Switching Accessories | 47 |
| | LED Constant Current Power Supply, 9W | 48 |
| | LED Constant Current Power Supply, 18 W | 49 |

| | Products | Page |
|-----------------------------|--------------------------------|---------|
| Fluorescent Lighting | SlimLite XL T5 | 50 – 51 |
| | SlimLite T4 | 52 – 53 |
| | <i>NEW</i> E-Lite 2 | 54 – 55 |
| | HighLite | 56 – 57 |
| Halogen Premium Line | KB12/KBS12 | 58 – 59 |
| | ARF20/ARFS20 | 60 – 61 |
| | Arclamp | 62 – 63 |
| | EH24 | 64 – 65 |
| | Premium Sets | 66 – 67 |
| | Wave | 68 – 69 |
| | TriTech | 70 – 71 |
| Halogen Ecoline | ArcTech | 72 – 73 |
| | ER1/ES1 | 74 – 75 |
| Xenon Lighting | XR1/XS1 | 76 – 77 |
| Transformers | UC-60FT | 78 |
| | UE-E60FT | 79 |
| | UK-120TW | 80 |
| Dimmers | ETD1/ ETD1/TP | 81 |
| | ERD1 | 82 |
| Accessories | Connecting Cable 2NV6 | 83 |
| | Terminal Block NVK6/4 | 83 |
| | Halogen & Xenon Bulbs | 84 |
| Applications | Store Fixtures & Displays | 85 – 90 |
| | Commercial Healthcare | 91 – 93 |
| | Hospitality | 94 – 96 |
| Signs and Symbols | Kitchen Cabinets Residential | 97 – 98 |
| | | 99 |

Hera[®] – Light Years Ahead.



Hera Lighting L.P., Norcross, GA



Hera GmbH & Co. KG, Enger, Germany

Hera – Light Years Ahead.

Hera opened its U.S. headquarters in Atlanta, GA in 1991, and we've rapidly become one of the leading cabinet, furniture and display lighting companies in the United States today. We come from a European heritage of innovative lighting design and technology. In fact, we grew out of the very company that developed the first fluorescent lighting for kitchen cabinets in the early 1960's.

Hera has been perfecting halogen cabinet lighting since the early 1980's. We were one of the first U.S. companies to introduce halogen cabinet lighting and practically built the U.S. market for these products. As manufacturers, we develop our own unique lighting systems that have become extremely popular in a very short time.

All Hera lighting products are unique, stylishly designed and on the leading edge of today's lighting technology. From our halogen spotlights to SlimLite Fluorescent, as well as our brand new LED line, all of our lighting systems exemplify beauty as well as form and function.

Hera's expertise bringing new trends and technology has been evident throughout the decades. As the driving force in lighting technology, Hera's main focus in the mid 2000's has been on LEDs. We have been at the forefront of this new technology bringing energy efficient and maintenance free LEDs to market.

At Hera, we're working hard to continue to produce maximum quality lighting systems at reasonable prices. All of our products meet and exceed U.S. safety standards and are UL and/or ETL listed. So, for state-of-the-art lighting systems and accessories that add the perfect accent to any home or business, contact us. One look and you'll understand why – Hera is light years ahead.

LED-Lighting

The latest lighting technology for your furniture, cabinets and displays

An LED (Light Emitting Diode) is a semiconductor that emits visible light when an electric current passes through.

- Extremely long lamp life of up 50,000 hours
- Lower power consumption
- High efficiency
- They produce virtually no heat
- No infrared or ultraviolet radiation
- LEDs are shatter proof

Hera has been at the forefront of this new technology. Today we proudly offer you a complete line of LED solutions for unlimited applications. Our engineers will continue to develop innovative products incorporating the advantages LEDs have to offer.

Can LEDs provide a consistent light color?

Consumer demand for LED lighting has pushed this technology to a state of becoming highly energy efficient while achieving increasing levels of light output. All manufacturers are constantly pursuing improvements in LED lighting performance. Hera Lighting is at the front of this movement with new and innovative LED luminaires. We strive to provide quality, durability and value with every product. Hera only uses the latest generation of high power LEDs from reputable suppliers such as Luxeon, CREE or Osram.

You may notice slight color variations of light between LED fixtures. This is normal. All manufacturers have this issue and Hera goes to great lengths to minimize this effect.

The process we use is called Binning. We purchase high quality LEDs from the best diode manufacturers and only accept few select Bin Codes. Because we cannot limit our production to only one Bin Code, we select our Warm White and Cool White Bin Codes with careful consideration to quality. Our Warm White range of Bin Codes is 2800K to 3800K, and the Cool White range is 3900K to 7000K. As we manufacture our LED luminaires, each product will have WW or CW and the Bin Code applied to the fixture and product packaging. We use our best effort to match Bin Codes but we cannot guarantee a perfect match or specific Bin Code availability. In order to minimize the color variation be sure to use the same Bin Code when possible. Keep in mind that within each bin code the Kelvin temperature range can vary from 200K to possibly 700K.

Much effort has been made to ensure you will receive the best color matching that LED technology will allow. If you think your lighting color variation is too great, please check that each fixture belongs to the same bin. If they do not then the color variation may be more noticeable. If you think the light is defective, return the fixture and we will test it. If we find there is a defect or the Kelvin temperature is out of range, we will replace your fixture free of charge.

HO-LED Bin Code markings on box and fixture



Cool-White

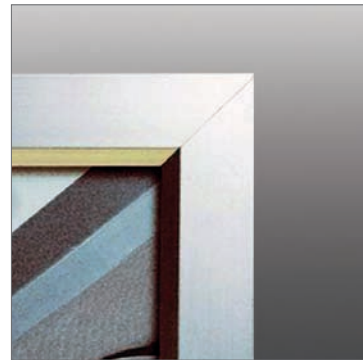


Warm-White

For more information on Hera LEDs and our commitment to the future of energy efficient lighting, please visit: www.heralighting.com/hera/LED.pdf

Panel-LED

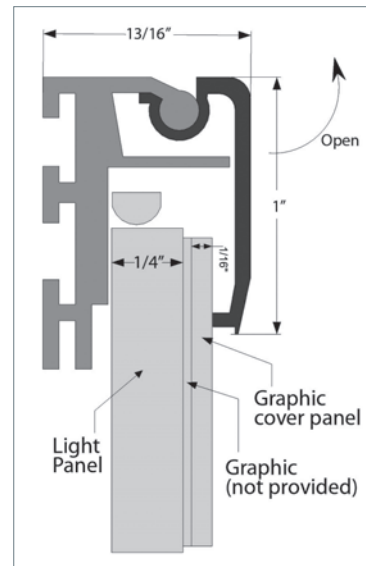
NEW



LED LIGHTING

Product-Features

- Super Slim. Thickness only 13/16"
- Aluminum frame with black finish. Multi colors available by special order: white, gold, silver
- Easy to change picture and install
- The snap frame is easy to open, therefore the image is easy to change
- LED light sources are used, power saving & long lifetime (70,000 Hrs)
- Two color temperatures available: 6500K and 9000K
- Special sizes can be custom made to meet customer's requirements
- Mounts vertically or horizontally
- Applicable for businesses, supermarkets, banks, hotel, displays and exhibits
- LED Driver included



| Body Size (L x W x H) | Image Size | Visual Size | Weight (lbs) | Power |
|---------------------------|-------------------|--------------------|--------------|-------|
| 13 3/4 x 18 1/2 x 11/16" | 12 1/2 x 17 3/8" | 11 3/4 x 16 1/2" | 6.6 | 4W |
| 15 x 20 7/16 x 11/16" | 13 3/4 x 19 9/32" | 13 x 18 3/8" | 8.8 | 7W |
| 18 1/2 x 25 3/8 x 11/16" | 17 3/8 x 24 3/16" | 16 1/2 x 23 3/8" | 11 | 8W |
| 20 7/16 x 29 1/2 x 11/16" | 19 9/32 x 28 3/8" | 18 1/2 x 27 1/2" | 12 | 11W |
| 21 5/8 x 29 1/2 x 11/16" | 20 1/2 x 28 3/8" | 19 11/16 x 27 3/8" | 13.2 | 12W |
| 25 3/8 x 35 x 11/16" | 24 3/16 x 33 7/8" | 23 3/8 x 33 1/8" | 17.6 | 22W |
| 29 1/2 x 41 3/8 x 11/16" | 28 3/8 x 40 1/8" | 27 1/2 x 39 3/8" | 25.5 | 26W |

SlimLite XL-LED

NEW

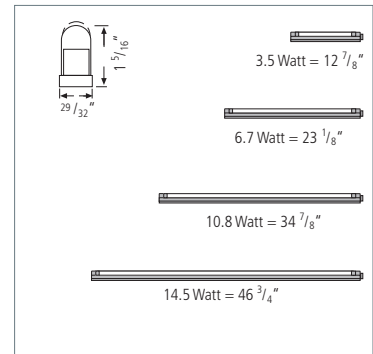


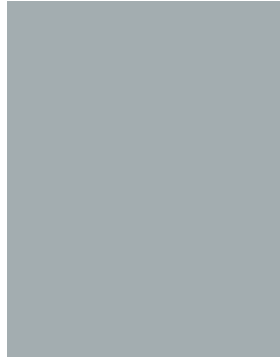
SlimLite XL-LED

Our brand new SlimLiteXL-LED is the easiest way to upgrade from current SlimLite XL fluorescent fixture to LED. Just unplug the existing fixture, plug in the new one and you are on your way to energy efficient and low maintenance displays. SlimLite XL-LED is also the perfect solution for new installations. With the same light output as our T5 fluorescent, this LED uses only half the energy and offers double the lamp life.

Product-Features

- LED with integrated electronic driver
- Energy Efficient. 1' (3.5 W), 2' (6.7 W), 3' (10.8 W) and 4' (14.5 W)
- Plug-in modular system allows for easy installation and continuous lighting
- Extremely long lamp life, rated 50,000 hours
- Available in Cool White or Warm White LEDs
- Optional plexiglas cover available (to be ordered separately)
- Good color rendering, CRA >85





What you'll need to buy

SlimLite XL-LED Light Fixture

| Description | Watt | Length | Color | Code No. |
|-------------|------|---------|------------|------------|
| ES12LED | 3.5 | 12 7/8" | Warm White | ES12LED/WW |
| | | | Cool White | ES12LED/CW |
| ES22LED | 6.7 | 23 1/8" | Warm White | ES22LED/WW |
| | | | Cool White | ES22LED/CW |
| ES34LED | 10.8 | 34 7/8" | Warm White | ES34LED/WW |
| | | | Cool White | ES34LED/CW |
| ES46LED | 14.5 | 46 3/4" | Warm White | ES46LED/WW |
| | | | Cool White | ES46LED/CW |

Includes LED tube

| | ES12 | ES22 | ES34 | ES46 |
|------------------------------|-----------|-----------|-----------|-----------|
| fixture length | 12 7/8" | 23 1/8" | 34 7/8" | 46 3/4" |
| fixture width | 29/32" | 29/32" | 29/32" | 29/32" |
| fixture height with diffuser | 1 5/16" | 1 5/16" | 1 5/16" | 1 5/16" |
| tube length | 11 1/4" | 21 1/2" | 33 1/4" | 45 1/8" |
| tube diameter | 5/8" | 5/8" | 5/8" | 5/8" |
| watts | 3,5 | 6,7 | 10,8 | 14,5 |
| lumens | 348 | 661 | 1044 | 1392 |
| line current | 0,04 | 0,09 | 0,13 | 0,16 |
| CRI | >85 | >85 | >85 | >85 |
| voltage | AC 120 | AC 120 | AC 120 | AC 120 |
| frequency | 60 Hz | 60 Hz | 60 Hz | 60 Hz |
| maximum watts in line | 585 watts | 585 watts | 585 watts | 585 watts |
| power factor | > .95 | > .97 | > .98 | > .98 |
| efficiency (%) | > 70 | > 70 | > 75 | > 75 |

Accessories

| | Description | Code No. |
|--------------------------|-----------------------|-----------|
| Power Cord* | 6' long | SPC/XL |
| | 6' with roller switch | SPC/S/XL |
| Connecting Cables | 6" long | SCC6/XL |
| | 1' long | SCC12/XL |
| | 2' long | SCC24/XL |
| | 4' long | SCC48/XL |
| | 6' long | SCC72/XL |
| | 10' long | SCC120/XL |
| Direct Connector | | SDC/XL |
| Hardwire Box | | SHWC/XL |
| | with switch | SHWC/S/XL |
| On/OFF Rocker Switch | | SRS/XL |
| Optional Plexiglas Cover | for ES12LED | SPLX12 |
| | for ES22LED | SPLX22 |
| | for ES34LED | SPLX34 |
| | for ES46LED | SPLX46 |

* Note: Power cords and connecting cables are also available with 90° or straight connectors and in various lengths

Stick2-LED



Inline Dimmer Switch

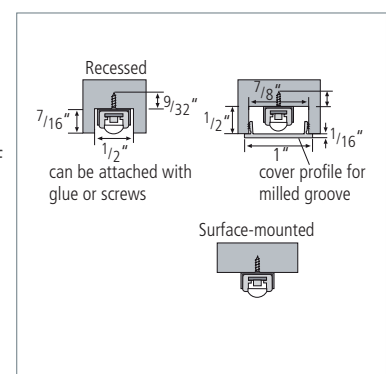
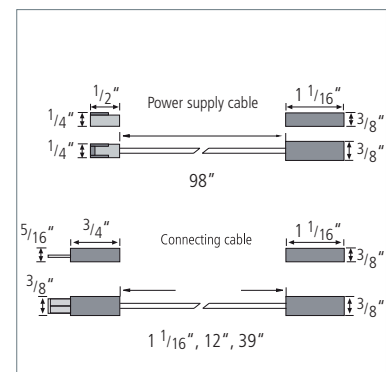
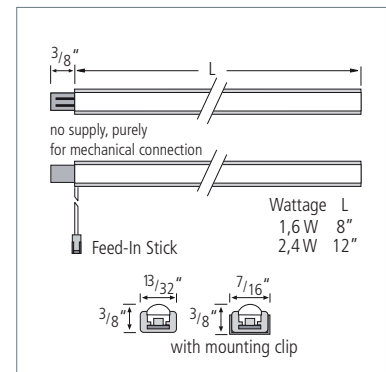
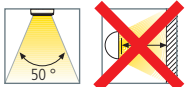
Miniature Linear LED Lighting With Integrated Connecting System

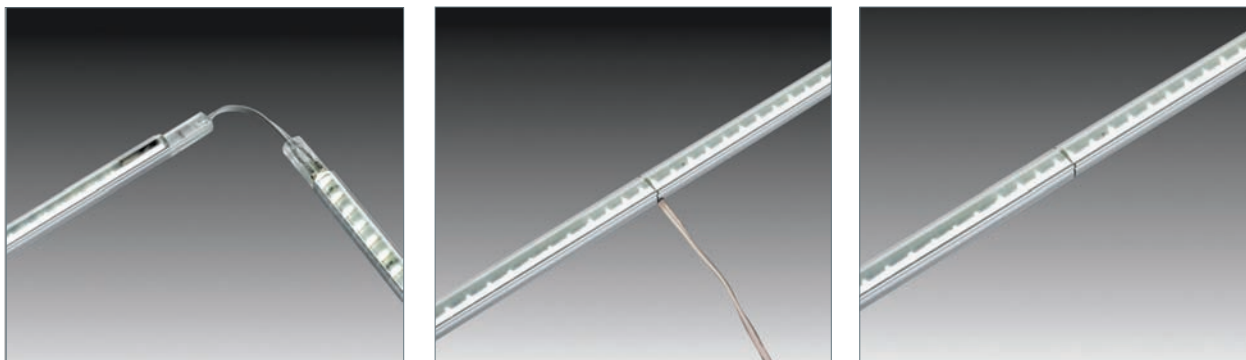
Stick2-LED is Hera's latest linear LED lighting solution. These ultracompact strips of LED lighting feature a very high and even light output and an integrated connecting system. Stick2-LEDs are perfect for furniture, cabinets and displays. They are also the ideal lighting solution for cooler and freezer cases.

- New and improved**
- Now available in 3' and 4' lengths
 - New Inline Dimmer Switch
 - Magnetic Mounting Clips now available

Product-Features

- Aluminum and plexiglas housing
- Extremely small dimensions: width: $\frac{3}{8}$ " , height: $\frac{5}{16}$ "
- Light fixture can be recessed (flush with board) or surface mounted
- Available in four different sizes: 8" (1.6 W), 12" (2.4 W), 34" (7.2 W) and 46" (9.7 W)
- Available with cool white and warm white LEDs, as well as special color for meat cases
- Extremely high, even light output
- 50,000 hours useable life
- For unlimited runs order one Feed-In Stick for every 8'
- LED connecting cables are available in 1 $\frac{3}{16}$ " , 12" and 39" lengths
- Power supply cable 98" to be ordered separately
- To be used with 24 V DC LED driver
- Dimmable with optional accessories
- Inline Dimmer Switch with 4 position light level: 100 % , 50 % , 25 % , off
- Magnetic Mounting Clips Available





Feed-In Stick

What you'll need to buy

Light Fixtures

Stick2-LED

Warm White

| Length | Code No. |
|-------------------|---------------|
| 8" | STICK2LED8WW |
| 12" | STICK2LED12WW |
| 34" | STICK2LED34WW |
| 46" | STICK2LED46WW |
| 12" Feed-In Stick | STICK2/WPC/WW |

Cool White

| Length | Code No. |
|-------------------|---------------|
| 8" | STICK2LED8CW |
| 12" | STICK2LED12CW |
| 34" | STICK2LED34CW |
| 46" | STICK2LED46CW |
| 12" Feed-In Stick | STICK2/WPC/CW |

LED Power Supply (see page 44)

| Description | Code No. |
|---------------------------------|--------------|
| Constant Voltage Driver 6 Watt | STICKPS24/06 |
| Constant Voltage Driver 30 Watt | STICKPS24/30 |
| Constant Voltage Driver 75 Watt | STICKPS24/75 |

Cables and Connectors

| Description | Code No. |
|---------------------------|-------------|
| Power Cord 98" | STICK2PC |
| Connecting Cable 1" | STICK2CC1 |
| Connecting Cable 12" | STICK2CC12 |
| Connecting Cable 39" | STICK2CC39 |
| Power Cable Extension 39" | KB12LEDCC39 |
| Power Cable Extension 98" | KB12LEDCC98 |
| Terminal Block Expander | STICKTB |

Optional Accessories (see pages 45 – 47)

| Description | Code No. |
|----------------------------------|------------------|
| Dimmer | STICKPSDIM |
| Dimmer Controller | DIMCONTROL |
| Distributor Cable | STICKDIM/YCABLE |
| Inline Dimmer Switch | STICK2/SW |
| Motion-Activated Infrared Switch | IRSWITCH |
| Remote Control Dimmer | RCPSDIM |
| Terminal Block | STICKTB |
| Magnetic Mounting Clips | STICK2/MC/MAGNET |
| Cover Profile | STICK2/CP/39 |

TwinStick2-LED



Inline Dimmer Switch

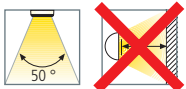
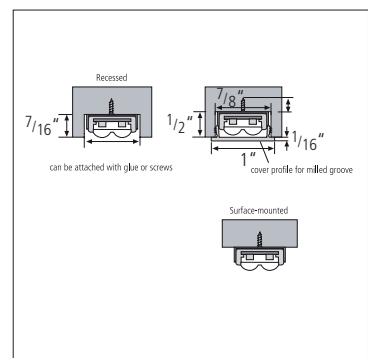
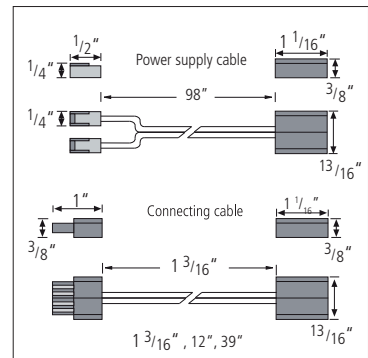
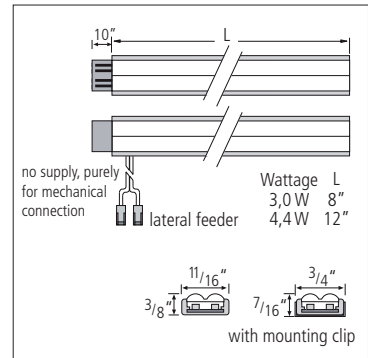
Extremely Compact Linear LED Lighting With Integrated Connecting System

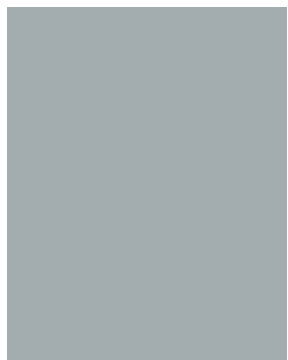
Hera's brand new TwinStick2-LED is the latest linear LED lighting solution. With an extremely high light output, similar to T5 fluorescent light fixtures, these compact strips are ideal for commercial applications such as store fixtures or displays. Low energy consumption and virtually no maintenance (life time 50,000 hours) are additional benefits. TwinStick2-LEDs feature an integrated connecting system.

- New and improved**
- No dark zones.
 - New Inline Dimmer Switch

Product-Features

- Aluminum and plexiglas housing
- Extremely small dimensions: width: $1\frac{1}{16}$ " , height: $\frac{5}{16}$ "
- Light fixture can be recessed (flush with board) or surface mounted
- Available in two different sizes: 8" (3.0 W) and 12" (4.4 W)
- Available with cool white and warm white LEDs, as well as special color for meat cases
- Extremely high, even light output
- 50,000 hours useable life
- For unlimited runs order one Feed-In Twinstick for every 8'
- LED connecting cables are available in $1\frac{3}{16}$ " , 12" and 39" lengths
- Power supply cable 98" to be ordered separately
- To be used with 24 V DC LED driver
- Dimmable with optional accessories
- Inline Dimmer Switch with 4 position light level: 100 % , 50 % , 25 % , off





What you'll need to buy

Light Fixtures

TwinStick2-LED

Warm White

| Length | Code No. |
|-------------------|-------------------|
| 8" | TWINSTICK2LED8WW |
| 12" | TWINSTICK2LED12WW |
| 12" Feed-In Stick | TWINSTICK2/WPC/WW |

Cool White

| Length | Code No. |
|-------------------|-------------------|
| 8" | TWINSTICK2LED8CW |
| 12" | TWINSTICK2LED12CW |
| 12" Feed-In Stick | TWINSTICK2/WPC/CW |

LED Power Supply (see page 44)

| Description | Code No. |
|---------------------------------|--------------|
| Constant Voltage Driver 30 Watt | STICKPS24/30 |
| Constant Voltage Driver 75 Watt | STICKPS24/75 |

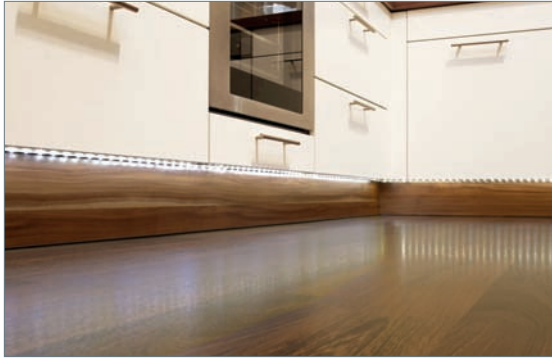
Cables and Connectors

| Description | Code No. |
|--------------------------|----------------|
| Power Cord 98" | TWINSTICK2PC |
| Connecting Cable 1" | TWINSTICK2CC1 |
| Connecting Cable 12" | TWINSTICK2CC12 |
| Connecting Cable 39" | TWINSTICK2CC39 |
| Power Cord Extension 39" | KB12LEDCC39 |
| Power Cord Extension 98" | KB12LEDCC98 |
| Terminal Block Expander | STICKTB |

Optional Accessories (see pages 45 – 47)

| Description | Code No. |
|----------------------------------|------------------|
| Dimmer | STICKPSDIM |
| Dimmer Controller | DIMCONTROL |
| Distributor Cable | STICKDIM/YCABLE |
| Inline Dimmer Switch | TWINSTICK2/SW |
| Motion-Activated Infrared Switch | IRSWITCH |
| Remote Control Dimmer | RCPSDIM |
| Cover Profile | TWINSTICK2/CP/39 |

Tape-LED

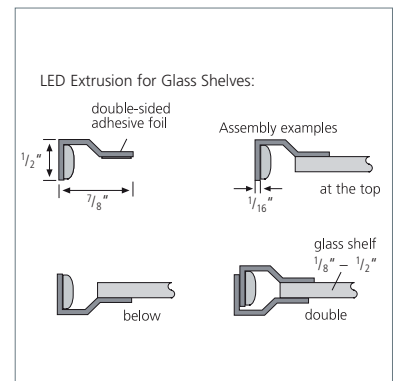
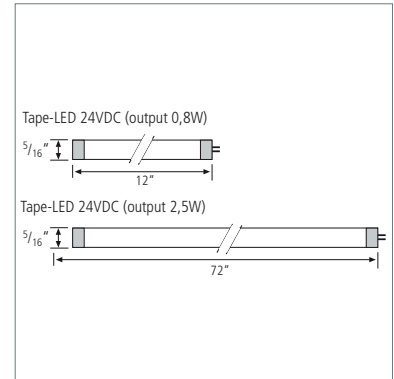


Tape-LED

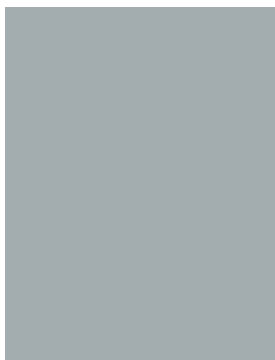
The latest in flexible LED technology. Used as accent lighting for displays, furniture, kitchen cabinets or shelving. Illuminates without heating, ideal for delicate products and artwork. The flexible mounting allows installation in and around most angles.

Product-Features

- Self adhering, flexible LED strip, 0.8 W/ft
- Extremely long life 70mW LED, avg life 30,000 hours
- Available with cool white or warm white LEDs
- Finish: white tape with clear flexible lens
- Maximum 16' interconnected strips per power cable
- Quick and easy installation, can be shortened in 6" increments for custom fit
- Additional LED connecting cables are available in 2" and 20"
- To be used with 24 V DC LED Driver
- Dimmable with available accessories



No minimum Clearance



What you'll need to buy

Light Fixtures

Tape-LED

Warm White

| Length | Code No. |
|--------|--------------|
| 12" | TAPELED12/WW |
| 72" * | TAPELED72/WW |

Cool White

| Length | Code No. |
|--------|--------------|
| 12" | TAPELED12/CW |
| 72" * | TAPELED72/CW |

LED Power Supply (see page 44)

| Description | Code No. |
|---------------------------------|--------------|
| Constant Voltage Driver 6 Watt | STICKPS24/06 |
| Constant Voltage Driver 30 Watt | STICKPS24/30 |
| Constant Voltage Driver 75 Watt | STICKPS24/75 |

Cables and Connectors

| Description | Code No. |
|-------------------------|----------|
| Power Cord | TAPEPC |
| Connecting Cable 2" | TAPECC2 |
| Connecting Cable 20" | TAPECC20 |
| Terminal Block Expander | STICKTB |

Optional Accessories (see pages 45 – 47)

| Description | Code No. |
|---------------------------|-----------------|
| Dimmer | STICKPSDIM |
| Dimmer Controller | DIMCONTROL |
| Dimming Distributor Cable | STICKDIM/YCABLE |
| Low Voltage Switch | IRSWITCH |
| Remote Control Dimmer | RCPSDIM |
| Shelf Extrusion * | TAPE/EXT |

* Available by special order only.
500 minimum order quantity.

LumiMax-LED

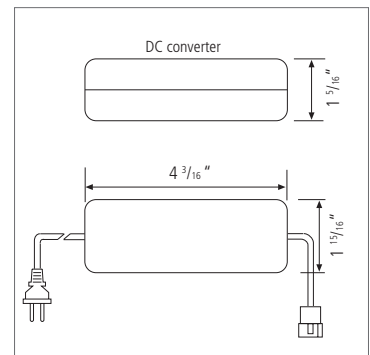
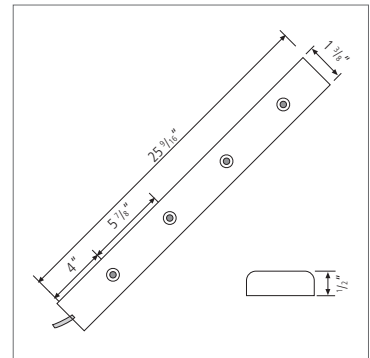


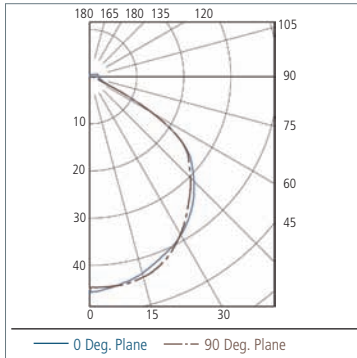
High Output Linear LED Lighting With 3 W Diodes

Hera's LumiMax-LED uses the latest 3 W high output diodes which provide an extremely high and even light output. This linear LED light fixture is available in three different lengths and perfect for installations in showcases, displays or under cabinets.

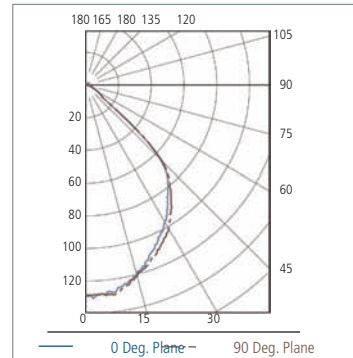
Product-Features

- Very attractive frosted plexiglas housing
- Light fixture can be recessed (flush with board) or surface mounted
- Extremely small dimensions: width: $1 \frac{7}{16}$ " , height: $\frac{1}{2}$ "
- Available in three different sizes: $13 \frac{3}{4}$ " (2 x 3 W LED), $25 \frac{1}{2}$ " (4 x 3 W LED), $37 \frac{7}{16}$ " (6 x 3 W LED)
- Available with cool white and warm white LEDs
- Extremely high, even light output
- One constant current DC converter included per strip





LumiMax13/WW



LumiMax13/CW



What you'll need to buy

Light Fixtures

LumiMax-LED

Warm White

| Length | Code No. |
|----------|--------------|
| 13 ¾" | LUMIMAX13/WW |
| 25 ½" | LUMIMAX25/WW |
| 37 7/16" | LUMIMAX37/WW |

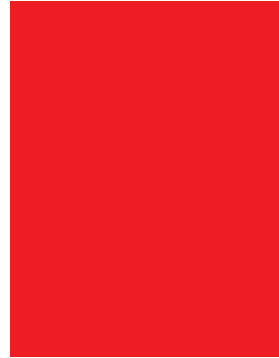
Cool White

| Length | Code No. |
|----------|-----------|
| 13 ¾" | LUMIMAX13 |
| 25 ½" | LUMIMAX25 |
| 37 7/16" | LUMIMAX37 |

LED Power Supply

Each LumiMax-LED comes complete with its own constant current driver

Tower-LED

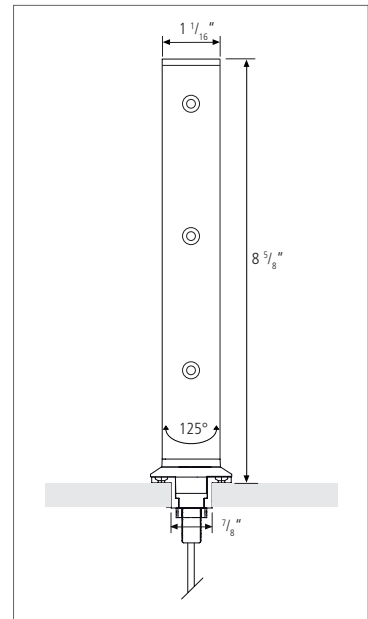


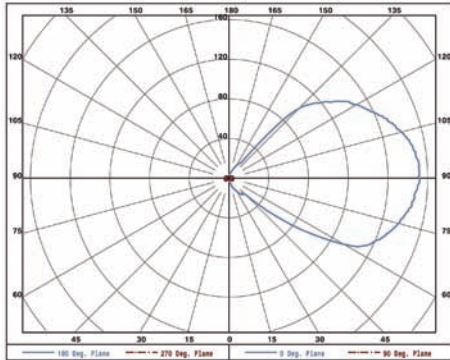
High Output Display Case LED Lighting With 3 W Diodes

Hera's new Tower-LED is the ideal lighting solution for display cases. Featuring the latest generation 3 W high output LED diodes, Tower-LED provides an extremely high and even light output. The light fixture swivels 125° and is particularly suitable for installation in jewelry cases, bringing out the sparkle in your diamonds.

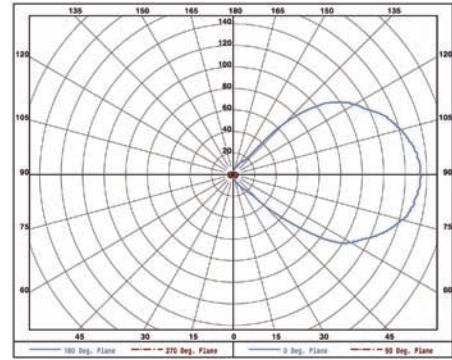
Product-Features

- High quality, brushed aluminum and plexiglas housing
- 3 x 3 W high power LEDs
- Available with cool white or warm white LEDs
- Height: 8 1/2", diameter: 1 1/4"
- Swivels 125°
- Very easy installation
- Attached 79" connecting cable with plug-in connector
- Comes complete with constant current DC converter





Tower-LED warm white



Tower-LED cool white

What you'll need to buy

Light Fixtures

Tower-LED

Warm White

| Finish | Code No. |
|------------------|--------------|
| Brushed Aluminum | TOWER-LED/MW |

Cool White

| Finish | Code No. |
|------------------|--------------|
| Brushed Aluminum | TOWER-LED/CW |

LED Power Supply

Each Tower-LED comes complete with its own constant current driver

QPad-LED

NEW

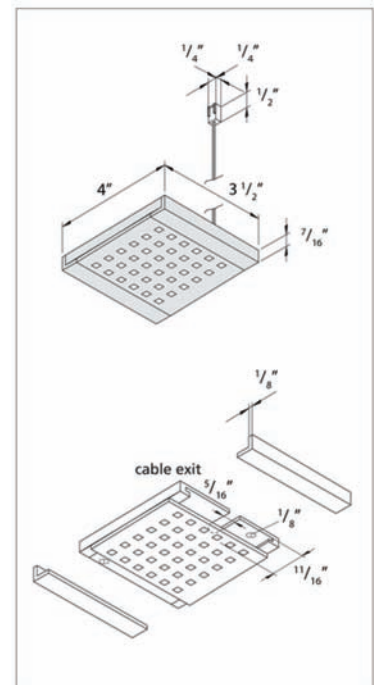


Low Profile Surface-Mounted LED Spotlight

Our brand new, highly designed QPad-LED is an energy-saving surface mounted spotlight with an extremely high light output. Its ultra-sleek, contemporary design makes it the perfect choice for retail displays, under cabinets and in bathrooms. The unique modern design of the QPad-LED attributed to winning the Red Dot Design award.

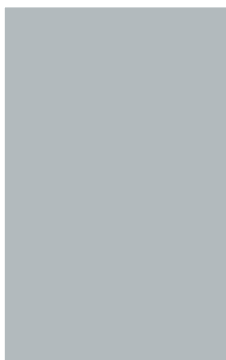
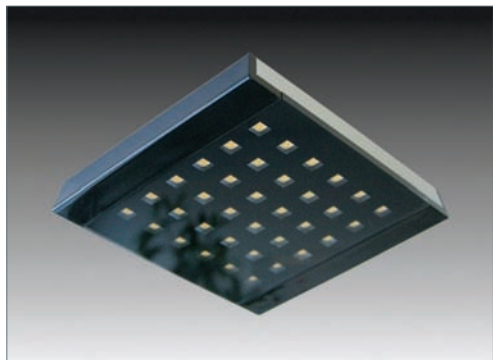
Product-Features

- Energy Efficient: 7.5W
- Extremely long lamp life, rated 30,000 hours
- Available in cool white or warm white LEDs
- Finishes available: Stainless Steel, Black, White
- Good color rendering, CRI >90
- To be used with 24 V DC LED driver
- Dimmable with optional accessories
- Good efficacy: WW= 60 lm/w and CW= 65 lm/w



reddot design award
winner 2010





What you'll need to buy

Light Fixtures

QPad-LED

Warm White

| Finish | Code No. |
|-----------------|--------------|
| White | QPADLEDWH/WW |
| Black | QPADLEDBL/WW |
| Stainless Steel | QPADLEDSS/WW |

Cool White

| Finish | Code No. |
|-----------------|--------------|
| White | QPADLEDWH/CW |
| Black | QPADLEDBL/CW |
| Stainless Steel | QPADLEDSS/CW |

LED Power Supply (see page 44)

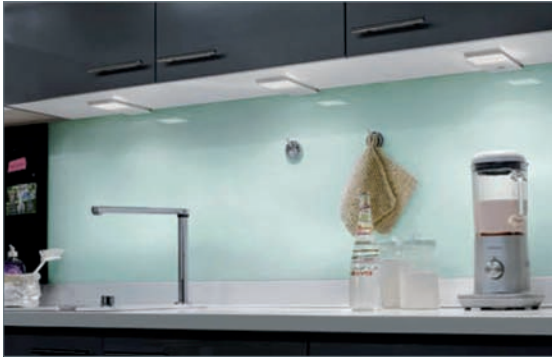
| Description | Code No. |
|---------------------------------|--------------|
| Constant Voltage Driver 30 Watt | STICKPS24/30 |
| Constant Voltage Driver 75 Watt | STICKPS24/75 |
| Connecting Cable 39" | KB12LEDCC39 |
| Connecting Cable 98" | KB12LEDCC98 |

Optional Accessories (see pages 45 – 47)

| Description | Code No. |
|----------------------------------|-----------------|
| Dimmer | STICKPSDIM |
| Dimmer Controller | DIMCONTROL |
| Distributor Cable | STICKDIM/YCABLE |
| Motion-Activated Infrared Switch | IRSWITCH |
| Remote Control Dimmer | RCPSDIM |
| Terminal Block | STICKTB |

LPad-LED

NEW



Low Profile Surface-Mounted LED Spotlight

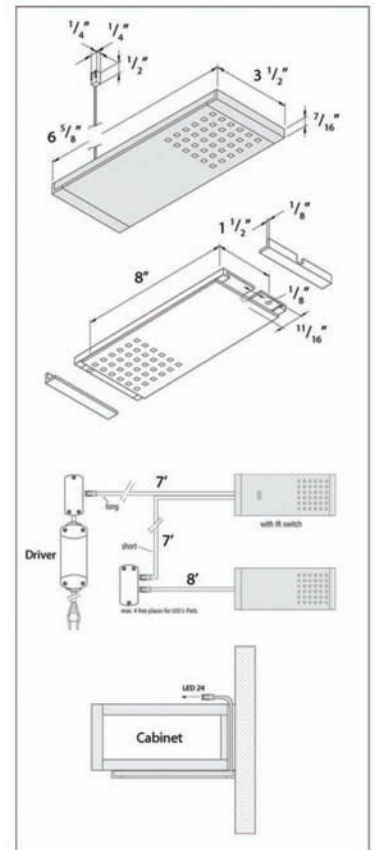
Pure & elegant design combined with sophisticated materials and brilliant color finishes makes this LED spotlight an incomparable eyecatcher. An optional touchless IR switch operates the spotlight and the integrated Hera Nightlight-System guides your way through the dark night. The unique modern design of the LPad-LED attributed to winning the Red Dot Design award.

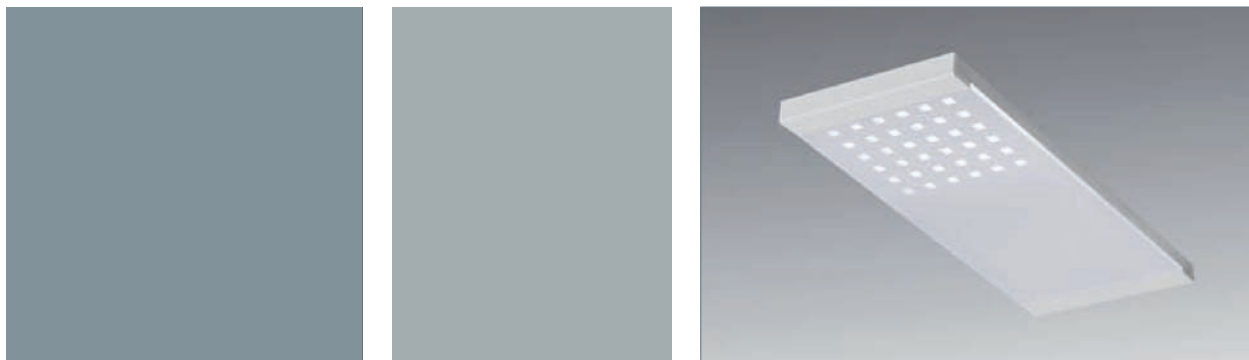
Product-Features

- Energy Efficient: Only 7.5 W
- Extremely long lamp life, rated 30,000 hours
- Available in cool white or warm white LEDs
- Finishes available: Stainless Steel, Black, White
- Good color rendering, CRI >90
- To be used with 24 V DC LED driver
- Dimmable with optional accessories
- Available with integrated IR Switch



reddot design award
winner 2010





What you'll need to buy

Light Fixtures

LPad-LED

Warm White

| Finish | Code No. |
|-----------------|--------------|
| White | LPADLEDWH/WW |
| Black | LPADLEDBL/WW |
| Stainless Steel | LPADLEDSS/WW |

Warm White w/IR Switch

| Finish | Code No. |
|-----------------|----------------|
| White | LPADLEDWH/S/WW |
| Black | LPADLEDBL/S/WW |
| Stainless Steel | LPADLEDSS/S/WW |

LED Power Supply (see page 44)

| Description | Code No. |
|---------------------------------|--------------|
| Constant Voltage Driver 30W | STICKPS24/30 |
| Constant Voltage Driver 75 W | STICKPS24/75 |
| Connecting Cable 39" | KB 12LEDCC39 |
| Connecting Cable 98" | KB 12LEDCC98 |

Cool White

| Finish | Code No. |
|-----------------|--------------|
| White | LPADLEDWH/CW |
| Black | LPADLEDBL/CW |
| Stainless Steel | LPADLEDSS/CW |

Cool White w/IR Switch

| Finish | Code No. |
|-----------------|----------------|
| White | LPADLEDWH/S/CW |
| Black | LPADLEDBL/S/CW |
| Stainless Steel | LPADLEDSS/S/CW |

Optional Accessories (see pages 45 – 47)

| Description | Code No. |
|-------------------------------------|-----------------|
| Dimmer | STICKPSDIM |
| Dimmer Controller | DIMCONTROL |
| Distributor Cable | STICKDIM/YCABLE |
| Motion-Activated Infrared Switch | IRSWITCH |
| Remote Control Dimmer | RCPSDIM |
| Terminal Block | STICKTB |

ARF-LED

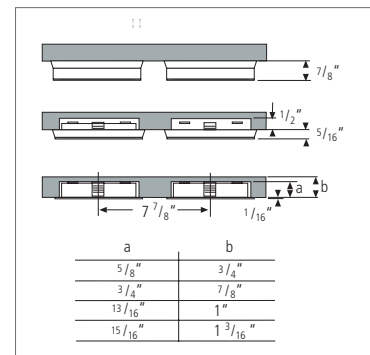
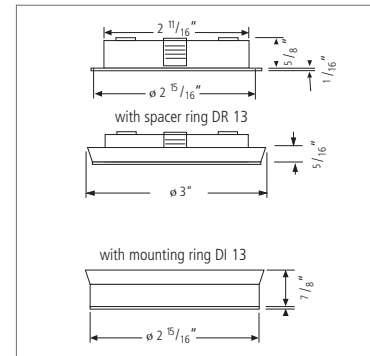


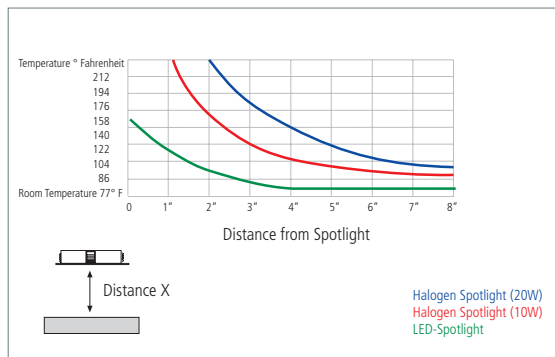
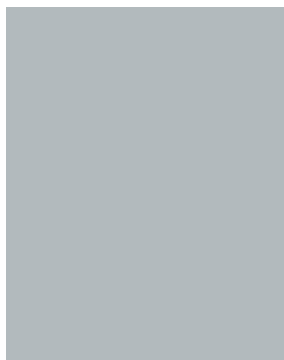
Low-Profile Recessed Or Surface Mounted LED Spotlight

This friction fit spotlight is designed for installation in kitchen cabinets, displays and furniture. It uses the latest generation Power LEDs which offer an equivalent light output to a 20 W halogen spotlight at only a fraction of the energy consumption (3 W). Virtually no heat emission and no ultraviolet radiation guarantee that your products won't be damaged. 50,000 hrs. of usable life make lamp changes a thing of the past.

Product-Features

- Recess depth only $\frac{5}{8}$ " or $\frac{1}{2}$ " (with spacer ring DR13)
- When surface mounted, overall height $\frac{7}{8}$ "
- Friction fit
- Only 3 Watt power consumption (3 x 1 Watt LEDs)
- Available with cool white or warm white LEDs
- Finishes: white, black, chrome, stainless steel and gold
- Attached 69" connecting cable with plug-in connector
- To be used with 350 mA constant current DC converter
- Special accessories available:
 - DR13-Spacer ring to reduce recessed depth
 - DI13-Surface mount ring
- Additional LED connecting cables are available in 36" and 72"
- Dimmable with available accessories





What you'll need to buy

Spotlights

ARF-LED

Warm White

| Finish | Code No. |
|-----------------|--------------|
| White | ARFLED3200WH |
| Black | ARFLED3200BL |
| Chrome | ARFLED3200CH |
| Gold | ARFLED3200GO |
| Stainless Steel | ARFLED3200SS |

Cool White

| Finish | Code No. |
|-----------------|--------------|
| White | ARFLED5500WH |
| Black | ARFLED5500BL |
| Chrome | ARFLED5500CH |
| Gold | ARFLED5500GO |
| Stainless Steel | ARFLED5500SS |

LED Power Supply (for specs refer to pages 45, 48 – 49)

| Description | Code No. |
|--|------------|
| Constant Current Driver 9 Watt | PSLED/A |
| Constant Current Driver 18 Watt | PSLED/18 |
| Dimmable Constant Current Driver 18 Watt | PSLED/DIM |
| LED Dimmer Controller | DIMCONTROL |

Optional Accessories

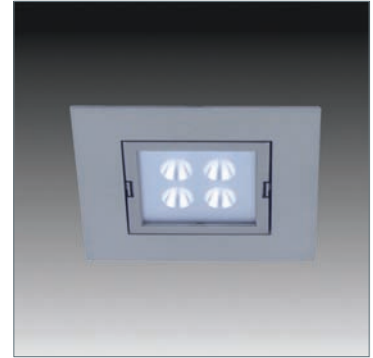
Surface Mount Rings

| Finish | Code No. |
|-----------------|----------|
| White | DI13WH |
| Black | DI13BL |
| Chrome | DI13CH |
| Gold | DI13GO |
| Stainless Steel | DI13SS |

Cables

| Description | Code No. |
|----------------------|----------|
| Connecting Cable 36" | LEDCC36 |
| Connecting Cable 72" | LEDCC72 |

ARFQ-LED

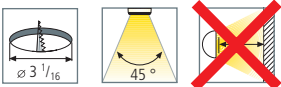
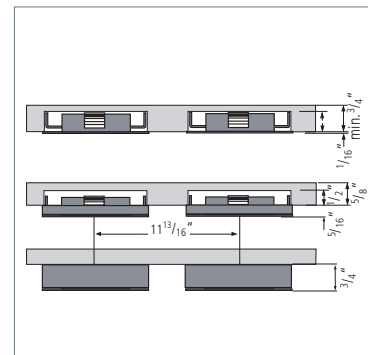
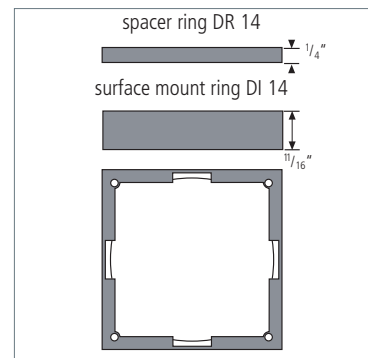
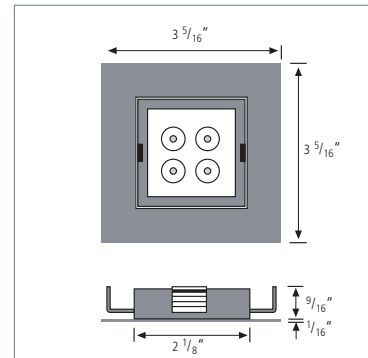


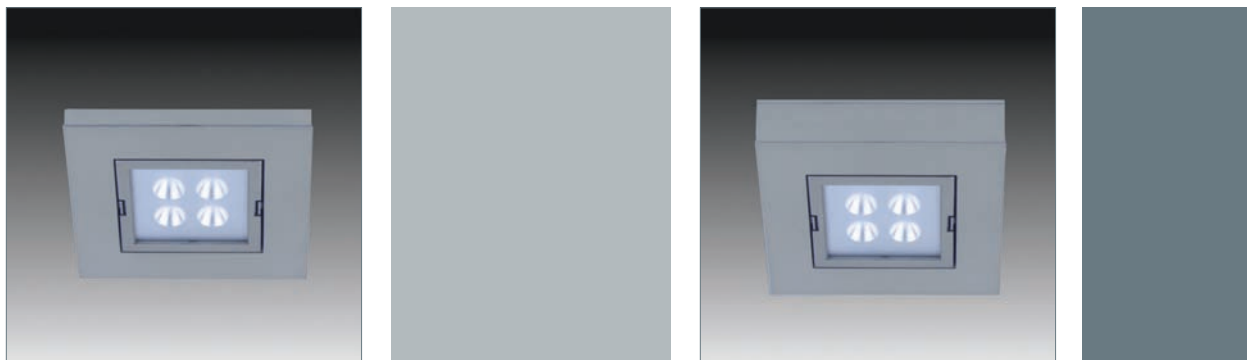
Powerful LED Cabinet Spotlight With Contemporary Square Design

The ARFQ-LED features 4 x 1 W high-power LEDs of the latest generation, guaranteeing a very high and even light output. The square design is perfect for today's contemporary kitchen cabinets, furniture and displays. The spotlight can be recessed or surface mounted.

Product-Features

- Recess depth only $\frac{5}{8}$ " or $\frac{1}{2}$ " (with spacer ring DR14)
- When surface mounted, overall height $\frac{3}{4}$ "
- Friction fit
- Only 4 Watt power consumption (4 x 1 Watt LEDs)
- Available with cool white or warm white LEDs
- Finishes: white, black, chrome, stainless steel and gold
- Attached 69" connecting cable with plug-in connector
- To be used with 350 mA constant current DC converter
- Special accessories available:
DR 14 – Spacer ring to reduce recess depth
DI 14 – Surface mount ring
- Additional LED connecting cables are available in 36" and 72"
- Dimmable with available accessories





What you'll need to buy

Spotlights

ARFQ-LED

Warm White

| Finish | Code No. |
|-----------------|--------------|
| White | ARFQLEDWH/WW |
| Black | ARFQLEDBL/WW |
| Chrome | ARFQLEDCH/WW |
| Gold | ARFQLEDGO/WW |
| Stainless Steel | ARFQLEDSS/WW |

Cool White

| Finish | Code No. |
|-----------------|--------------|
| White | ARFQLEDWH/CW |
| Black | ARFQLEDBL/CW |
| Chrome | ARFQLEDCH/CW |
| Gold | ARFQLEDGO/CW |
| Stainless Steel | ARFQLEDSS/CW |

LED Power Supply (for specs refer to pages 45, 48 – 49)

| Description | Code No. |
|--|------------|
| Constant Current Driver 9 Watt | PSLED/A |
| Constant Current Driver 18 Watt | PSLED/18 |
| Dimmable Constant Current Driver 18 Watt | PSLED/DIM |
| LED Dimmer Controller | DIMCONTROL |

Optional Accessories

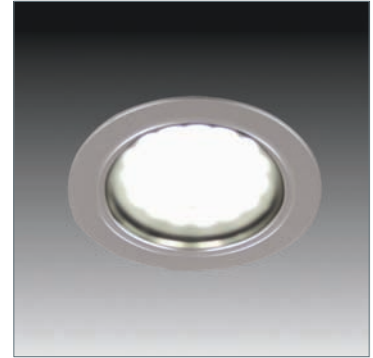
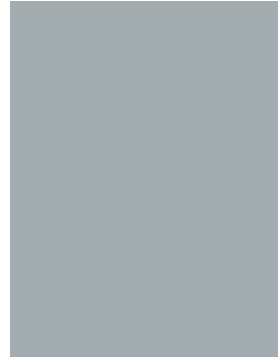
Surface Mount Rings

| Finish | Code No. |
|-----------------|----------|
| White | DI14WH |
| Black | DI14BL |
| Chrome | DI14CH |
| Gold | DI14GO |
| Stainless Steel | DI14SS |

Cables

| Description | Code No. |
|----------------------|----------|
| Connecting Cable 36" | LEDCC36 |
| Connecting Cable 72" | LEDCC72 |

KB12-LED/KBS12-LED

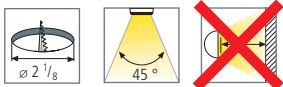
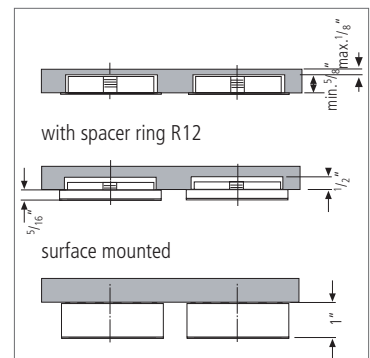
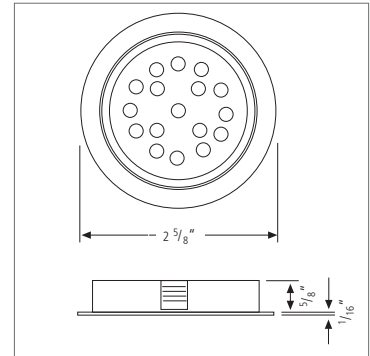


High Quality LED Spotlight At A Mid Level Price

The KB12-LED is a German made LED spotlight, available at a very attractive price. It features the latest generation SMD LEDs which provide a high and even light output while using only 1.6 W of energy. The KB12-LED can be surface and recessed mounted and is perfect for kitchen cabinet and furniture applications.

Product-Features

- Recess depth only $\frac{5}{8}$ " or $\frac{1}{2}$ " (with spacer ring R12)
- When surface mounted, overall height 1"
- Friction fit
- Only 1.6 Watt power consumption
- Available with cool white or warm white LEDs
- 50,000 hours usable life
- Finishes: white, black, chrome, stainless steel and gold
- Attached 98" connecting cable with plug-in connector
- To be used with 24 V DC LED driver
- Special accessories available:
R12 – Spacer ring to reduce recess depth
- Additional LED connecting cables are available in 39" and 98"
- Dimmable with available accessories





What you'll need to buy

Spotlights

KB12-LED

Recessed, warm white

| Finish | Code No. |
|-----------------|--------------|
| White | KB12LEDWH/WW |
| Black | KB12LEDBL/WW |
| Chrome | KB12LEDCH/WW |
| Gold | KB12LEDGO/WW |
| Stainless Steel | KB12LEDSS/WW |

KBS12-LED

Surface mounted, warm white

| Finish | Code No. |
|-----------------|---------------|
| White | KBS12LEDWH/WW |
| Black | KBS12LEDBL/WW |
| Chrome | KBS12LEDCH/WW |
| Gold | KBS12LEDGO/WW |
| Stainless Steel | KBS12LEDSS/WW |

LED Power Supply (see page 44)

| Description | Code No. |
|---------------------------------|--------------|
| Constant Voltage Driver 6 Watt | STICKPS24/06 |
| Constant Voltage Driver 30 Watt | STICKPS24/30 |
| Constant Voltage Driver 75 Watt | STICKPS24/75 |
| Power Cable extension 39" | KB12LEDCC39 |
| Power Cable extension 98" | KB12LEDCC98 |

Recessed, cool white

| Finish | Code No. |
|-----------------|--------------|
| White | KB12LEDWH/CW |
| Black | KB12LEDBL/CW |
| Chrome | KB12LEDCH/CW |
| Gold | KB12LEDGO/CW |
| Stainless Steel | KB12LEDSS/CW |

Surface mounted, cool white

| Finish | Code No. |
|-----------------|---------------|
| White | KBS12LEDWH/CW |
| Black | KBS12LEDBL/CW |
| Chrome | KBS12LEDCH/CW |
| Gold | KBS12LEDGO/CW |
| Stainless Steel | KBS12LEDSS/CW |

Optional Accessories (see pages 45 – 47)

| Description | Code No. |
|----------------------------------|-----------------|
| Dimmer | STICKPSDIM |
| Dimmer Controller | DIMCONTROL |
| Distributor Cable | STICKDIM/YCABLE |
| Motion-Activated Infrared Switch | IRSWITCH |
| Remote Control Dimmer | RCPSPDIM |
| Terminal Block | STICKTB |

ER/EQ-LED

NEW



Hera Quality LED Spotlight At An Affordable Price

Our brand new ER-LED and EQ-LED are the latest in economically priced LED spotlights. The high quality ER-LED and EQ-LED feature an energy saving, surface mounted spotlight perfect for under cabinets in kitchens, bathrooms or displays using only 1.2 W. Easy installation with no need to drill holes into cabinets.

Product-Features

- Extremely long life, rated at 30,000 hours
- Energy Efficient. Only 1.2 W
- Stainless Steel finish in either Round or Square Design
- Available in Cool White or Warm White LEDs
- Flat dimensions. ER-LED height only $\frac{5}{16}$ " , EQ-LED height only $\frac{3}{8}$ "
- Attached 98" connecting cable with plug-in connector
- To be used with 24 V DC LED Driver
- Additional LED connecting cables are available in 39" and 98"
- Compatible with Hera 24 V LED switching accessories
- Dimmable with optional accessories

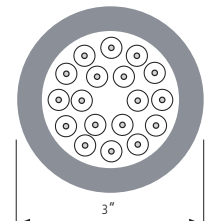


Fig. 1 ER-LED $\frac{5}{16}$ "

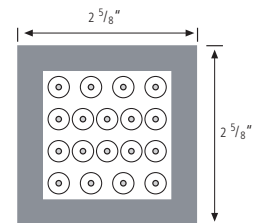


Fig. 2 EQ-LED $\frac{3}{8}$ "





What you'll need to buy

ER/EQ-LED Light Fixture

ER/LED

| Color | Code No. |
|-----------|------------|
| WarmWhite | ERLEDSS/WW |
| CoolWhite | ERLEDSS/CW |

LED Power Supply (see page 44)

| Color | Code No. |
|--------------------------------|--------------|
| Constant Voltage Driver 6W | STICKPS24/06 |
| Constant Voltage Driver 30W | STICKPS24/30 |
| Constant Voltage Driver 75W | STICKPS24/75 |
| Connecting Cable 39" | KB12LEDCC39 |
| Connecting Cable 98" | KB12LEDCC98 |

EQ-LED

| Finish | Code No. |
|-----------|------------|
| WarmWhite | EQLEDSS/WW |
| CoolWhite | EQLEDSS/CW |

Optional Accessories (see pages 45 – 47)

| Description | Code No. |
|-------------------------------------|-----------------|
| Dimmer | STICKPSDIM |
| Dimmer Controller | DIMCONTROL |
| Distributor Cable | STICKDIM/YCABLE |
| Motion-Activated Infrared Switch | IRSWITCH |
| Remote Control Dimmer | RCPSDIM |
| Terminal Block | STICKTB |

Eco-LED

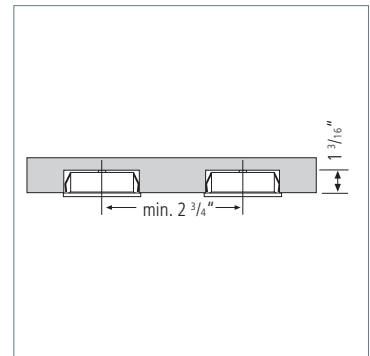
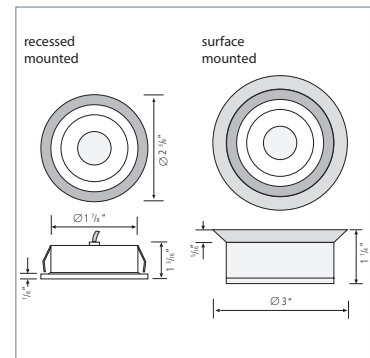


Economically Recessed Or Surface Mounted LED Spotlight

Eco-LED is Hera's economically priced LED solution. The spotlights feature 1 W high-power LEDs with a useable lifetime of 50,000 hrs. and high light output. Eco-LED is ideal for under cabinet, furniture or display applications.

Product-Features

- Recess depth $1 \frac{3}{16}$ " , surface mount height $1 \frac{1}{4}$ "
- Only 1 Watt power consumption
- Available with cool white or warm white LEDs
- Housing available in white, black and stainless steel
- Attached 79" long connecting cable with plug-in connector
- Spotlights come in sets of three, complete with 350 mA constant current DC converter
- Replacement / extra power supplies available
- Additional LED connecting cables are available in 20" , 39" and 79"





What you'll need to buy

Spotlights

The Eco-LED spotlights come in complete kits of 3 light fixtures, including driver, connecting cables and all hardware.

Warm White

| Finish | Code No. |
|-----------------|--------------|
| White | SET2LEDWH/WW |
| Stainless Steel | SET2LEDSS/WW |
| Black | SET2LEDBL/WW |

Cool White

| Finish | Code No. |
|-----------------|--------------|
| White | SET2LEDWH/CW |
| Stainless Steel | SET2LEDSS/CW |
| Black | SET2LEDBL/CW |

| | |
|-------------------------|-----------|
| Additional Power Supply | PSLED/ECO |
|-------------------------|-----------|

Cables and Connectors

| Description | Code No. |
|----------------------|-----------|
| Connecting Cable 20" | MINI/500 |
| Connecting Cable 39" | MINI/1000 |
| Connecting Cable 79" | MINI/1800 |

ER1/ES1-LED

NEW



Economically Recessed Or Surface Mounted LED Spotlight

The brand new ER1/ES1-LED is the easiest way to replace Halogen spotlights without having to replace the transformer. These spotlights are the perfect accent lighting for vanities, displays, furniture, kitchen cabinets and especially RV's and boats.

Product-Features

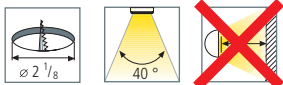
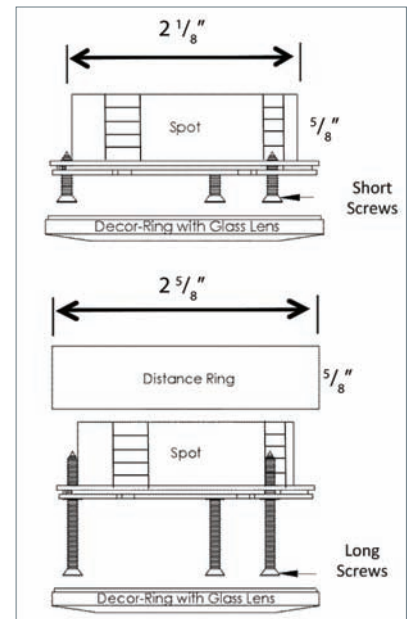
- Energy efficient: Only 1.7W
- Extremely long lamp life, rated 30,000 hours
- Available in cool white or warm white LEDs
- Finishes available: stainless steel or white
- Can be connected to Automotive 12V
- To be used with our Halogen Transformers, (12V AC/DC)
- Attached 79" connecting cable with NV6 plug

ES1:

- Overall height only $7/8$ "
- Screw on decor-ring
- Special accessories available: DR-I spacer ring

ER1:

- Same as ES1 but recess mounted by removing included distance ring
- Overall height only $1/8$ "





What you'll need to buy

Spotlights

ER1/ES1-LED Spotlight

Warm White

| Finish | Code No. |
|-----------------|-------------|
| White | ES1LEDWH/WW |
| Stainless Steel | ES1LEDSS/WW |

Cool White

| Finish | Code No. |
|-----------------|-------------|
| White | ES1LEDWH/CW |
| Stainless Steel | ES1LEDSS/CW |

Transformers for specs refer to pages 78 – 80)

| Description | Code No. | |
|------------------|----------|---|
| Ecoline 60 Watt | UE-E60FT | minimum load (1) maximum load (9) |
| Premium 60 Watt | UC-60FT | minimum load (1) maximum load (9) |
| Premium 120 Watt | UK-120TW | per output, minimum load (1) maximum load (9) |

Connecting Cables 2NV6

| Length | Code No. |
|--------|----------|
| 20" | 2NV6500 |
| 39" | 2NV61000 |
| 79" | 2NV62000 |
| 119" | 2NV63000 |

| Description | Code No. |
|----------------|----------|
| Terminal Block | NVK64 |

By using 2 X NVK64, per output, a 9 light load can be accomplished with no open connections.

Eye-LED

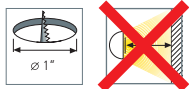
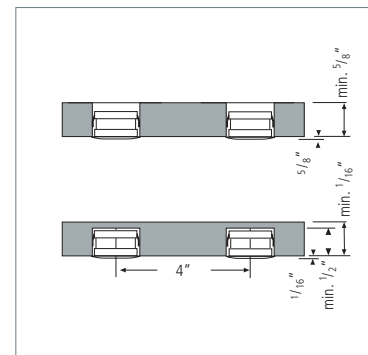
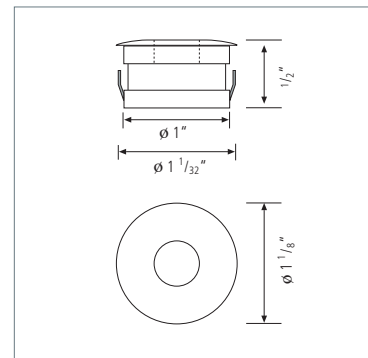


Miniature LED Spotlight

Eye-LED is the perfect lighting solution for all applications where minimal installation dimensions are essential. It fits into a 1" diameter x 1/2" depth installation opening. Eye-LED features a 1 W high-power LED.

Product-Features

- Extremely small dimensions: recess depth 1/2", recess diameter 1"
- 1 W high-power LED
- Ready to connect to 350 mA constant current power supply, 51" connecting cable with plug-in connector attached
- Available with cool white or warm white LEDs
- Finish: stainless steel and brushed aluminum
- Additional LED connecting cables are available in 36" and 72"
- Dimmable with available accessories





What you'll need to buy

Spotlights

Eye-LED

Warm White

| Finish | Code No. |
|-----------------|-------------|
| Stainless Steel | EYELEDSS/WW |
| Aluminum | EYELEDA/WW |

Cool White

| Finish | Code No. |
|-----------------|-------------|
| Stainless Steel | EYELEDSS/CW |
| Aluminum | EYELEDA/CW |

LED Power Supply (for specs refer to pages 45, 48 – 49)

| Description | Code No. |
|--|------------|
| Constant Current Driver 9 Watt | PSLED/A |
| Constant Current Driver 18 Watt | PSLED/18 |
| Dimmable Constant Current Driver 18 Watt | PSLED/DIM |
| LED Dimmer Controller | DIMCONTROL |

Cables and Connectors

| Description | Code No. |
|----------------------|----------|
| Connecting Cable 36" | LEDCC36 |
| Connecting Cable 72" | LEDCC72 |
| Terminal Block | TBLED/B |

EH 24-LED

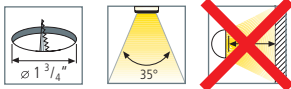
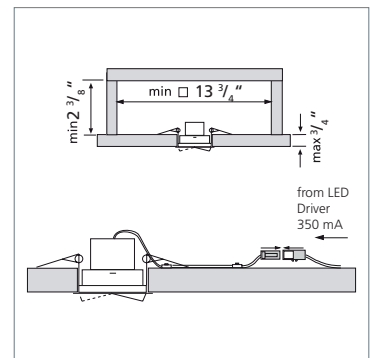
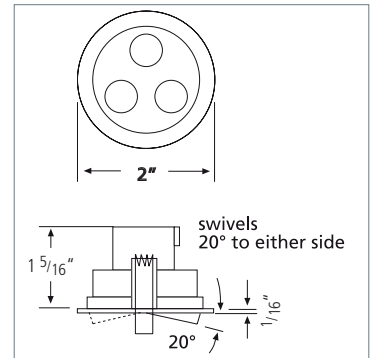


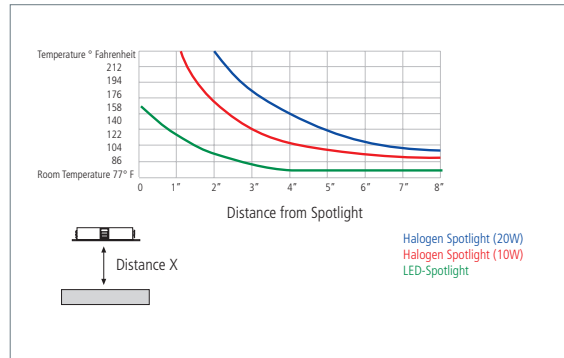
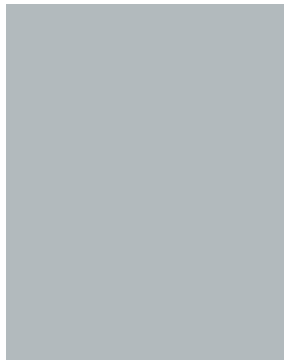
Recessed Swivel LED Spotlight

Ideally suited for installation inside displays, showcases or cabinets. The swivel feature allows you to direct the light in order to perfectly illuminate merchandise or collectibles. The EH24-LED uses the latest generation Power LEDs which offer an equivalent light output to a 20 W halogen spotlight at only a fraction of the energy consumption (3 W). Virtually no heat emission and no ultra-violet radiation guarantee that your products won't be damaged. 50,000 hrs. of usable life make lamp changes a thing of the past.

Product-Features

- +/- 20 degree swivel
- Recess depth only 1 3/4"
- Only 3 Watt power consumption (3 x 1 Watt LEDs)
- Available with cool white or warm white LEDs
- Metal housing available in: white, black, chrome, gold and stainless steel
- 69" connecting cable with plug-in connector
- To be used with 350 mA constant current DC converter
- Additional LED connecting cables are available in 36" and 72"
- Dimmable with available accessories





What you'll need to buy

Spotlights

EH 24-LED

Warm White

| Finish | Code No. |
|-----------------|---------------|
| White | EH24LED3200WH |
| Black | EH24LED3200BL |
| Chrome | EH24LED3200CH |
| Gold | EH24LED3200GO |
| Stainless Steel | EH24LED3200SS |

Cool White

| Finish | Code No. |
|-----------------|---------------|
| White | EH24LED5500WH |
| Black | EH24LED5500BL |
| Chrome | EH24LED5500CH |
| Gold | EH24LED5500GO |
| Stainless Steel | EH24LED5500SS |

LED Power Supply (for specs refer to pages 45, 48 – 49)

| Description | Code No. |
|--|------------|
| Constant Current Driver 9 Watt | PSLED/A |
| Constant Current Driver 18 Watt | PSLED/18 |
| Dimmable Constant Current Driver 18 Watt | PSLED/DIM |
| LED Dimmer Controller | DIMCONTROL |

Cables

| Description | Code No. |
|----------------------|----------|
| Connecting Cable 36" | LEDCC36 |
| Connecting Cable 72" | LEDCC72 |

HO-LED

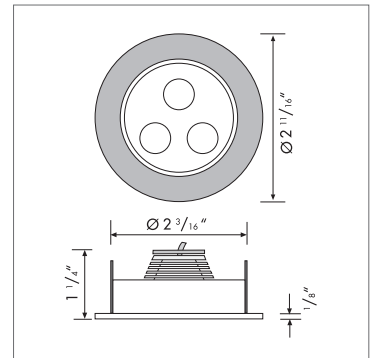


High Output Swivel And Non-Swivel LED Spotlights

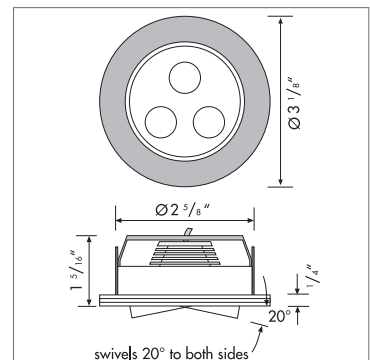
Hera's new swivel and non-swivel HO-LED Spots are ideal for applications where high levels of LED light are desired and minimal installation dimensions are not so important. The spotlights feature integrated 3 x 1 W high power LEDs with full LED optics. HO-LED Spots are perfect for displays, larger showcases and even soffits.

Product-Features

- High quality, brushed aluminum housing
- Swivel (+/- 20 degrees) and non-swivel version available
- 3 x 1 W high power LEDs with full LED optics
- Available with cool white or warm white LEDs
- Recess depth 1 1/8" non-swivel, 1 1/16" swivel
- Friction fit
- Attached 79" connecting cable with plug-in connector
- To be used with 350 mA constant current DC converter
- Additional LED connecting cables are available in 36" and 72"
- Dimmable with available accessories

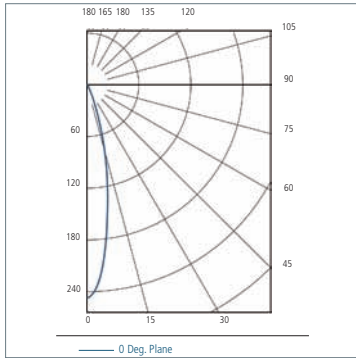


HO-LED 1

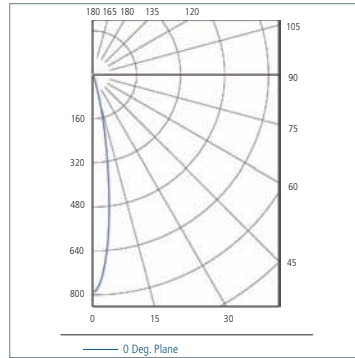


HO-LED 2

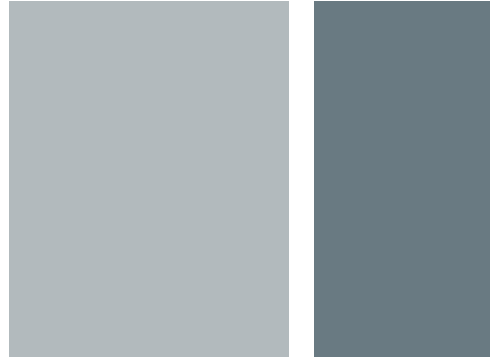




HO-LED2/WW



HO-LED1/CW



What you'll need to buy

Spotlights

HO-LED1

Warm White

| Finish | Code No. |
|------------------|----------|
| Brushed Aluminum | HOLED1WW |

Cool White

| Finish | Code No. |
|------------------|----------|
| Brushed Aluminum | HOLED1 |

HO-LED2

Warm White

| Finish | Code No. |
|------------------|----------|
| Brushed Aluminum | HOLED2WW |

Cool White

| Finish | Code No. |
|------------------|----------|
| Brushed Aluminum | HOLED2 |

LED Power Supply (for specs refer to pages 45, 48 – 49)

| Description | Code No. |
|--|------------|
| Constant Current Driver 9 Watt | PSLED/A |
| Constant Current Driver 18 Watt | PSLED/18 |
| Dimmable Constant Current Driver 18 Watt | PSLED/DIM |
| LED Dimmer Controller | DIMCONTROL |

Cables

| Description | Code No. |
|----------------------|----------|
| Connecting Cable 36" | LEDCC36 |
| Connecting Cable 72" | LEDCC72 |

Big6-LED

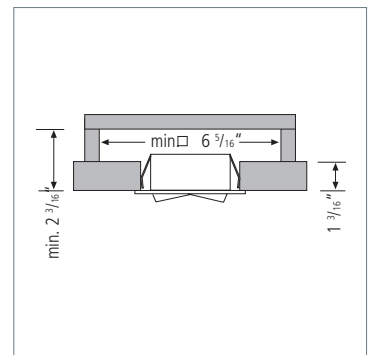
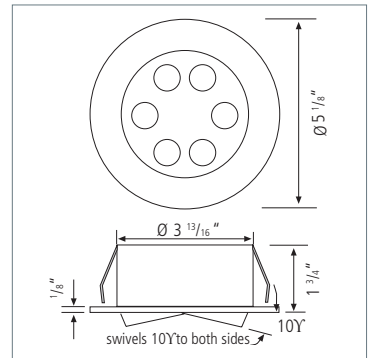


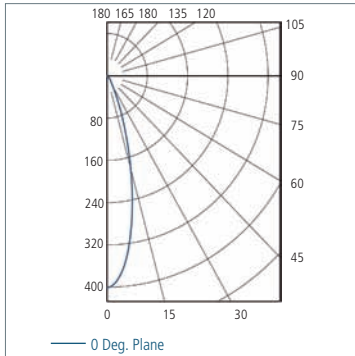
Recessed Swivel LED Spotlight With 6 x 1 W High Power LEDs

The Big6 was especially developed for applications where extremely high levels of light are necessary or desired. The integrated 6 x 1 W high-power LEDs provide an extremely high light output. The Big6 is perfect for larger display cases and even for installation in soffits.

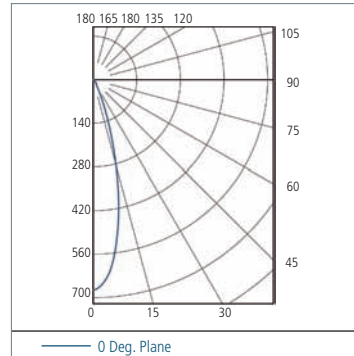
Product-Features

- +/- 10 degree swivel
- Recess depth 2 3/16"
- 6 x 1 W high-power LEDs
- Available with cool white or warm white LEDs
- Housing available in white and stainless steel
- Attached 79" long connecting cable with plug-in connector
- Comes complete with 350 mA constant current DC converter





Big6/LED/WW



BIG6/LED/CW



What you'll need to buy

Spotlights

Big6-LED

Warm White

| Finish | Code No. |
|-----------------|-----------|
| White | BIG6WH/WW |
| Stainless Steel | BIG6SS/WW |

Cool White

| Finish | Code No. |
|-----------------|-----------|
| White | BIG6WH/CW |
| Stainless Steel | BIG6SS/CW |

LED Power Supply

Each Big6-LED comes complete with its own constant current driver

Cables

| Description | Code No. |
|----------------------|-----------|
| Connecting Cable 20" | MINI/500 |
| Connecting Cable 39" | MINI/1000 |
| Connecting Cable 79" | MINI/1800 |

Flex-LED



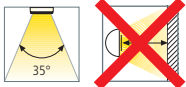
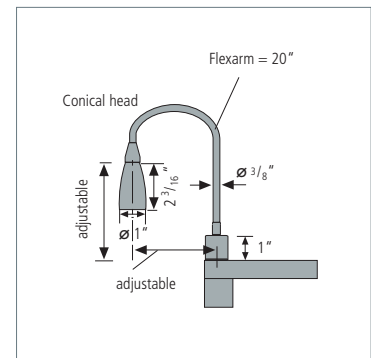
Flex-LED

Flexarm LED Spotlight

Ideal for display applications or as a reading light in headboards. The flexible arm allows an exact direction of the light. The 1 W high-power LED provides a good light output without any heat or UV radiation, allowing you to directly illuminate even the most sensitive products.

Product-Features

- 20" long Flexarm
- 1 W high-power LED
- Ready to connect to 350 mA constant current power supply, 51" connecting cable with plug-in connector attached
- Available with cool white or warm white LED
- Finish: matte chrome
- Special order colors and sizes are available for minimum quantities
- Four different versions
- Additional LED connecting cables are available in 36" and 72"
- Dimmable with available accessories





Flex-LED Atlantis



Flex-LED Edenroc



Flex-LED Side Mount

What you'll need to buy

Spotlights

Flex-LED

Warm White

| Finish | Code No. |
|--------------|----------------|
| Matte Chrome | FLEXLED/WW/MCH |

Flex-LED Atlantis

| Finish | Code No. |
|--------------|-----------------|
| Matte Chrome | ATLANTIS/WW/MCH |

FLEX-LED Edenroc

| Finish | Code No. |
|--------------|----------------|
| Matte Chrome | EDENROC/WW/MCH |

FLEX-LED SIDE MOUNT - left

| Finish | Code No. |
|--------------|-------------|
| Matte Chrome | SIDE/L/S/WW |

FLEX-LED SIDE MOUNT - right

| Finish | Code No. |
|--------------|-------------|
| Matte Chrome | SIDE/R/S/WW |

Cool White

| Finish | Code No. |
|--------------|----------------|
| Matte Chrome | FLEXLED/CW/MCH |

| Finish | Code No. |
|--------------|-----------------|
| Matte Chrome | ATLANTIS/CW/MCH |

| Finish | Code No. |
|--------------|----------------|
| Matte Chrome | EDENROC/CW/MCH |

| Finish | Code No. |
|--------------|-------------|
| Matte Chrome | SIDE/L/S/CW |

| Finish | Code No. |
|--------------|-------------|
| Matte Chrome | SIDE/R/S/CW |

LED Power Supply (for specs refer to pages 45, 48 – 49)

| Description | Code No. |
|--|-------------|
| Constant Current Driver 9 Watt | PSLED/A |
| Constant Current Driver 18 Watt | PSLED/18 |
| Dimmable Constant Current Driver 18 Watt | PSLED/DIM |
| LED Dimmer Controller | DIMCONTROL |
| Constant Current Driver 9 Watt switch compatible, to be used with FlexLED Edenroc or SIDE MOUNT | PSLEDA/Line |

LED Power Supplies

Constant Voltage 24 V



6 W Driver



30 W Driver



75 W Driver

Electronic Power Supply For 24V/DC LEDs

Constant voltage electronic power supply for up to 75 W of LEDs. These power supplies work perfectly in all commercial and residential applications and feature very small dimensions.

Product-Features

- 110 V, 50/60 Hz
- 24 V constant voltage
- Available wattages: 6 W, 30 W, 75 W
- Overload protection
- Overheat protection
- Short-circuit protection
- Soft start for maximum LED life
- 79" plug-in power cord
- One attached terminal block for up to 12 power cord connections
- Additional terminal blocks available
- To be used with Stick2-LED, TwinStick2-LED, KB12-LED/KBS12-LED, Tape-LED, ER/EQ-LED, QPad-LED and LPad-LED

What you'll need to buy

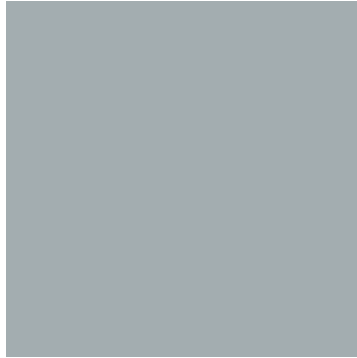
| Description | Code No. |
|----------------|--------------|
| 6 Watt Driver | STICKPS24/06 |
| 30 Watt Driver | STICKPS24/30 |
| 75 Watt Driver | STICKPS24/75 |

LED Dimming Accessories

Constant Voltage LED



STICKPSDim



DimControl

Dimmer For LED Light Fixtures

Connects to the output of the 24V/DC constant voltage power supply to allow expanded plug and play functionality for lighting control. For additional versatility in installation the StickPSDim uses a separate controller, the DimControl. This allows the lighting to be adjusted from virtually anywhere in the cabinet.

Product-Features

- For dimming of 24V/DC LEDs
- Connects to output of StickLED driver
- Can supply up to 48W of LEDs
- Dimming range: 0 -100%
- Control signal output: 1 -10Vdc
- Must be used with DimControl or compatible control
- Can be ganged together for an expanded dimmable system
- To be used with Stick2-LED, TwinStick2-LED, KB12-LED/KBS12-LED, Tape-LED, ER/EQ-LED, QPad-LED and LPad-LED

DimControl

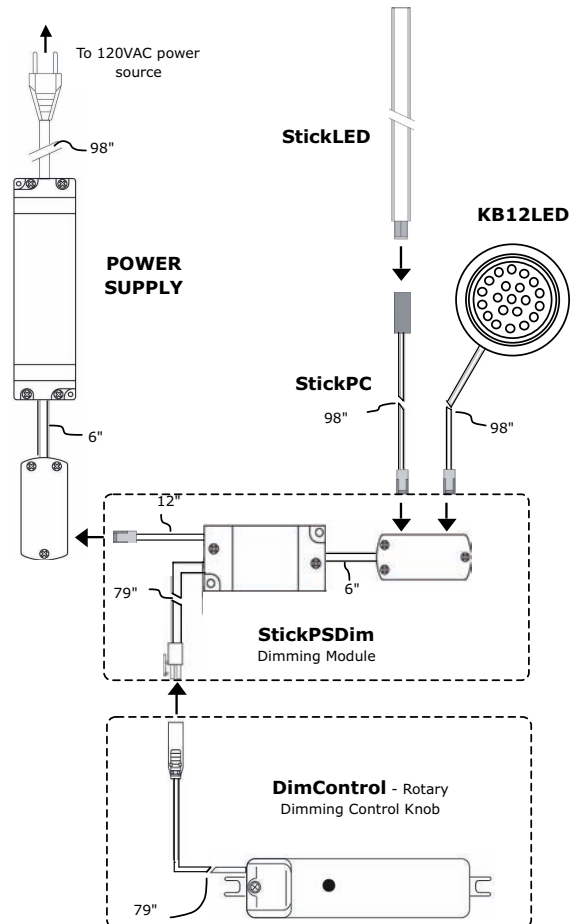
- To be used with StickPSDim
- 1-10Vdc Sink Control
- Available separately
- Can be used with PSLED/DIM Constant Current Driver

What you'll need to buy

| Description | Code No. |
|--------------------|------------|
| Dimming Module | StickPSDim |
| Dimming Controller | DIMCONTROL |

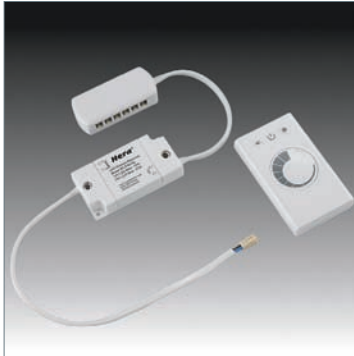
Optional Accessories

| Description | Code No. |
|--------------------------------|-----------------|
| Y-Cable adapter | STICKDIM/YCABLE |
| DimControl extension cable 20" | MINI/500 |
| DimControl extension cable 39" | MINI/1000 |
| DimControl extension cable 72" | MINI/1800 |

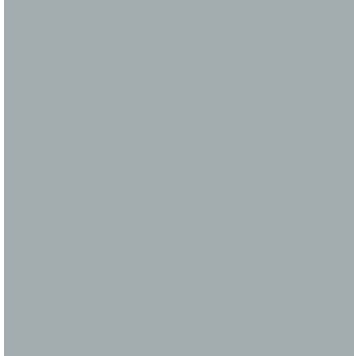


LED Dimming Accessories

Constant Voltage LED



RCPSDim



Remote Control

Remote Control Dimmer For LED Light Fixtures

Remote Controlled Dimming Adapter allows true energy savings when dimming. Connects to the output of the 24VDC constant voltage power supply to allow expanded plug and play functionality for lighting control. For ease of installation and reduced cabling, the RCPSDIM uses a wireless controller. This allows the lighting to be adjusted from anywhere in the room.

Product-Features

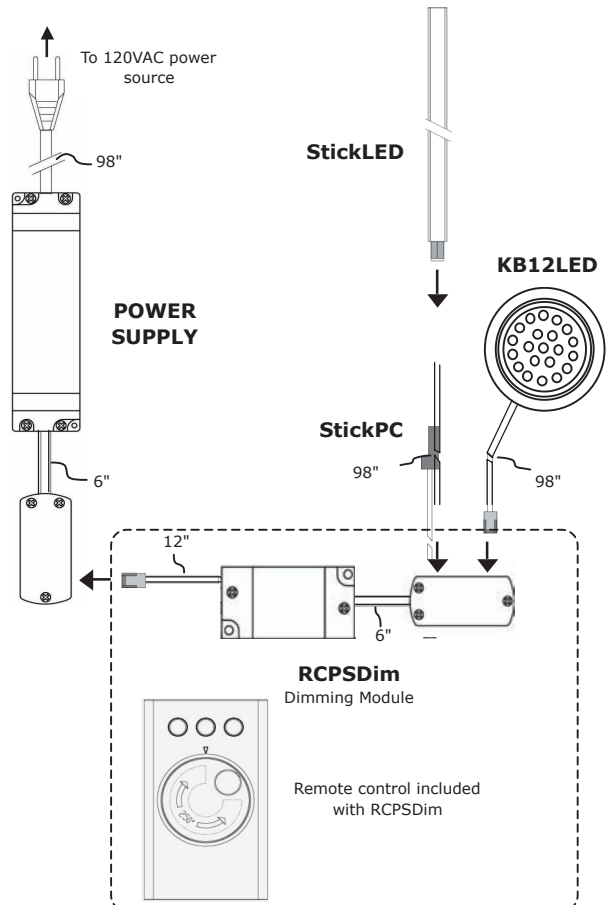
- Allows dimming of 24V/DC LEDs
- Connects to output of Stick-LED driver
- Can supply up to 30W of LEDs
- Dimming range: 0–100%
- Quickset buttons for 10% or 100% level
- Remote distance up to 50 ft
- Remote requires 2 x AAA batteries (not included)
- No interference with multiple remote systems
- Amplifier available to connect multiple RC modules to one remote control
- To be used with Stick2-LED, TwinStick2-LED, KB12-LED/KBS12-LED, Tape-LED, ER/EQ-LED, QPad-LED and LPad-LED

What you'll need to buy

| Description | Code No. |
|-----------------------|------------|
| RC Dimming Module | RCPSDim |
| RC Dimming Controller | (included) |

Optional Accessories

| Description | Code No. |
|-------------------------|-----------------|
| Terminal block expander | StickTB |
| Amplifier | (Special Order) |



LED Switching Accessories

Constant Voltage LED



IR Switch



Infrared Switch For LED Light Fixtures

Low-Voltage IR Switch Controller allows flexibility of switching individual lighting sections without wall controls. The multi-function, motion activated switch will allow two modes of operation. One mode of operation functions as a door contact switch to allow interior cabinet lighting to operate when the door is opened/closed. The second mode will function as a motion sensor to allow touch free operation.

Since this is a Class 2 switch, it can be mounted virtually anywhere in the millwork.

Product-Features

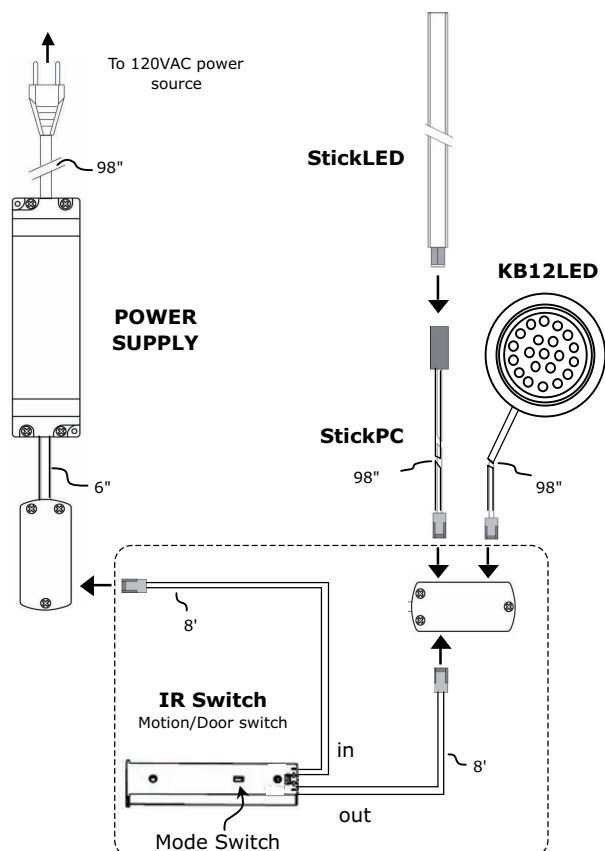
- Dual function IR switch for control of 24V/DC LEDs
- Function 1 – (default) Door contact switch operation
- Function 2 – Touch switch operation
- Connects to output of StickLED driver
- Can supply up to 30W of LEDs
- Surface mountable with included tape
- Recessed mountable in 9/16" drill hole
- Special order amplifier available to connect larger lighting systems (more than 30W) to one switch.
- To be used with Stick2-LED, TwinStick2-LED, KB12-LED/KBS12-LED, Tape-LED, ER/EQ-LED, QPad-LED and LPad-LED

What you'll need to buy

| Description | Code No. |
|----------------|------------|
| IR Switch | IRSWITCH |
| Terminal block | (included) |

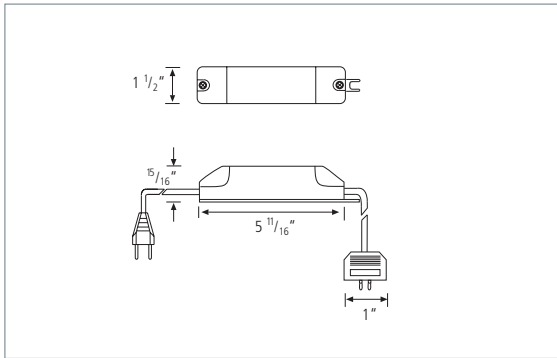
Optional Accessories

| Description | Code No. |
|-------------------------|-----------------|
| Terminal block expander | StickTB |
| Amplifier | (Special Order) |



LED Power Supply, 9 W

Constant Current, 350 mA

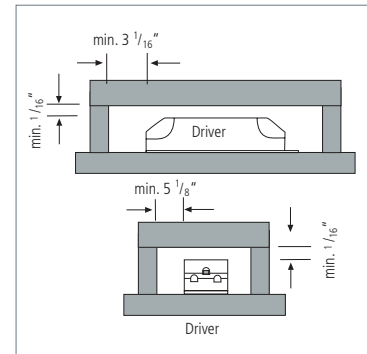


Electronic Power Supply For 9 x 1 W High-Power LEDs

Extremely small electronic power supply for max. 9 x 1 W high-power LEDs.

Product-Features

- 110 V, 50/60 Hz
- 350 mA constant current
- For connections of 1 – 9 x 1 W high-power LED
- Overload protection
- Overheat protection
- Short-circuit protection
- Soft start for maximum LED life
- 79" plug-in power cord
- Attached terminal block for 3 x LED spotlights.
- Additional terminal blocks available

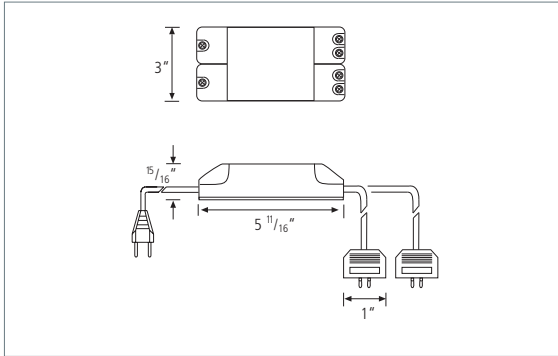


What you'll need to buy

| Description | Code No. |
|--|-------------|
| Constant Current Driver 9 Watt | PSLED/A |
| Constant Current Driver 9 Watt switch compatible, to be used with FlexLED Edenroc or SIDE MOUNT | PSLEDA/Line |
| Connecting Cable 36" | LEDCC36 |
| Connecting Cable 72" | LEDCC72 |
| Additional Terminal Block | TBLED/B |

LED Power Supply, 18 W

Constant Current, 350 mA



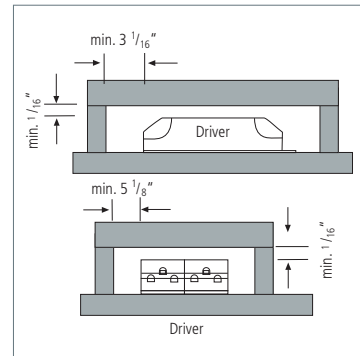
18 W Electronic Power Supply For High-Power LEDs

Constant current electronic power supply for up to 18 W of high-power LEDs. This power supply works perfectly in all commercial and residential applications and features very small dimensions.

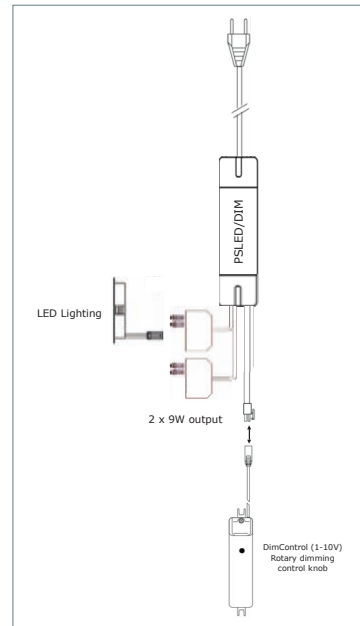
New – dimmable version available now.

Product-Features

- 110 V, 50/60 Hz
- 350 mA constant current
- For connections of up to 18 W high-power LEDs
- Overload protection
- Overheat protection
- Short-circuit protection
- Soft start for maximum LED life
- 79" plug-in power cord
- Two attached terminal blocks for 3 x LED spotlights each.
- Additional terminal blocks available



PSLED/DIM connection diagram



What you'll need to buy

| Description | Code No. |
|--|------------|
| Constant Current Driver 18 Watt | PSLED/18 |
| Dimmable Constant Current Driver 18 Watt | PSLED/DIM |
| LED Dimmer Controller | DIMCONTROL |
| Connecting Cable 36" | LEDCC36 |
| Connecting Cable 72" | LEDCC72 |
| Additional Terminal Block | TBLED/B |

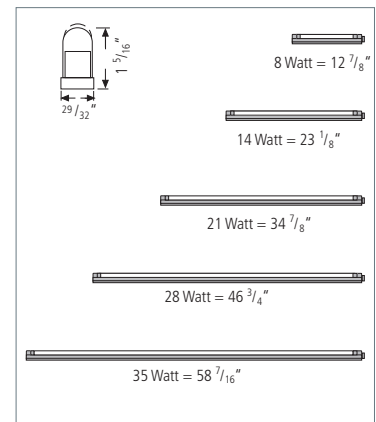
SlimLite XL T5

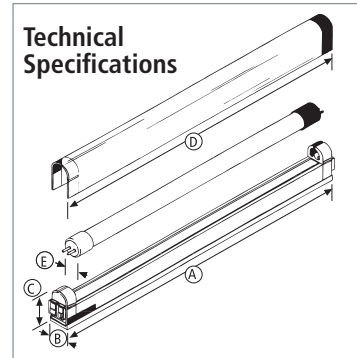
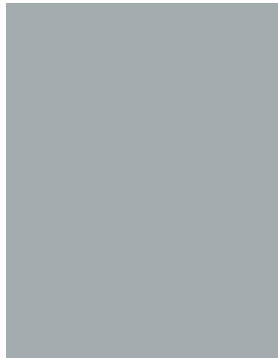


For longer runs, SlimLite XL is the solution. The XL offers all the benefits of SlimLite: It's cooler, brighter, more compact. And now it's available in 1', 2', 3', 4' and 5' lengths. This enables continuous rows of light of up to 50 linear feet which makes the XL the perfect lighting system for gondolas, store fixtures and long runs of shelves. SlimLite XL features standard T-5 lamps which are available in a variety of light colors. Its optional plexiglas cover makes it the preferred light fixture for food applications.

Product-Features

- Built-in electronic ballast
- Energy efficient, only 8, 14, 21, 28 and 35 W
- Uses standard T-5 lamps, CRI > 82 (to be ordered separately)
- Plug-in modular system permits easy connection for continuous lighting
- Extremely long bulb life, rated 20,000 hrs.
- Available in five different lengths:
1' (12 ⁷/₈"), 2' (23 ¹/₈"), 3' (34 ⁷/₈"),
4' (46 ³/₄") and 5' (58 ⁷/₁₆") width: 29 ¹/₃₂" , height: 1 ⁵/₁₆"
- Optional plexiglass cover available (to be ordered separately)
- Contemporary white housing
- End of lamp life circuitry to protect ballast





What you'll need to buy

SlimLite XL Fluorescent Light Fixture

| Description | Watt | Length | Code No. |
|-------------|------|-----------------------------------|----------|
| ES12 | 8 | 12 ⁷ / ₈ " | ES12 |
| ES22 | 14 | 23 ¹ / ₈ " | ES22 |
| ES34 | 21 | 34 ⁷ / ₈ " | ES34 |
| ES46 | 28 | 46 ³ / ₄ " | ES46 |
| ES59 | 35 | 58 ⁷ / ₁₆ " | ES59 |

Also available with bulb and cover. Add BC (Cool White) or WW BC (Warm White) to product code.

Accessories

| | Description | Code No. |
|--|-------------------------------|----------|
| Power Cord, Connecting Cables, Hardwire Box, Direct Connector and Switch | same as SlimLite, see page 53 | |
| Replacement Bulb | 8W Cool White | SFB8 |
| | 8W Warm White | SFB8WW |
| | 14W Cool White | SFB14 |
| | 14W Warm White | SFB14WW |
| | 21W Cool White | SFB21 |
| | 21W Warm White | SFB21WW |
| | 28W Cool White | SFB28 |
| | 28W Warm White | SFB28WW |
| | 35W Cool White | SFB35 |
| | 35W Warm White | SFB35WW |
| Plexiglas Cover | for ES12 | SPLEX12 |
| | for ES22 | SPLEX22 |
| | for ES34 | SPLEX34 |
| | for ES46 | SPLEX46 |
| | for ES59 | SPLEX59 |

| | ES12 | ES22 | ES34 | ES46 | ES59 |
|--------------------------------|--------------------------------------|--------------------------------------|--------------------------------------|--------------------------------------|--------------------------------------|
| Ⓐ fixture length | 12 ⁷ / ₈ " | 23 ¹ / ₈ " | 34 ⁷ / ₈ " | 46 ³ / ₄ " | 58 ⁷ / ₁₆ " |
| Ⓑ fixture width | ²⁹ / ₃₂ " | ²⁹ / ₃₂ " | ²⁹ / ₃₂ " | ²⁹ / ₃₂ " | ²⁹ / ₃₂ " |
| Ⓒ fixture height with diffuser | 1 ⁵ / ₁₆ " | 1 ⁵ / ₁₆ " | 1 ⁵ / ₁₆ " | 1 ⁵ / ₁₆ " | 1 ⁵ / ₁₆ " |
| Ⓓ tube length | 11 ¹ / ₄ " | 21 ¹ / ₂ " | 33 ¹ / ₄ " | 45 ¹ / ₈ " | 57" |
| Ⓔ tube diameter | T5 (⁵ / ₈ "") | T5 (⁵ / ₈ "") | T5 (⁵ / ₈ "") | T5 (⁵ / ₈ "") | T5 (⁵ / ₈ "") |
| watts | 8 | 14 | 21 | 28 | 35 |
| lumens | 400 | 1350 | 2100 | 2900 | 3650 |
| current | 136 mA | 136 mA | 198 mA | 253 mA | 315 mA |
| in-rush current | less than 5 AMP | | | | |
| CRI | > 82 | > 82 | > 82 | > 82 | > 82 |
| voltage | AC 120 | AC 120 | AC 120 | AC 120 | AC 120 |
| frequency | 60 Hz | 60 Hz | 60 Hz | 60 Hz | 60 Hz |
| maximum watts in line | 585 Watts | 585 Watts | 585 Watts | 585 Watts | 585 Watts |

SlimLite T4



A Fluorescent So Compact, It Fits Even The Most Hard-To-Light Areas In Furniture, Displays Or Under Cabinets

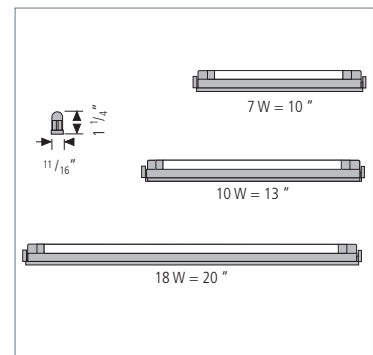
The fixture is easy to install with a snap-in system. You can also combine several fixtures effortlessly. The modular connecting system makes it simple to create long, continuous lines of fluorescent lighting to fit any space. Its high light-output and an extremely low heat index make the SlimLite ideal for displays and cases.

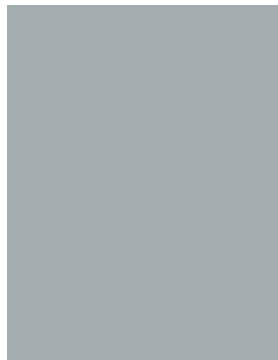
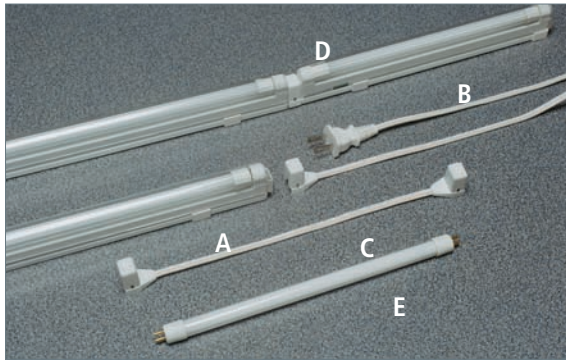
More Light · Less Heat · Easier Installation · More Flexibility



Product-Features

- Built-in electronic ballast
- Energy efficient, only 7, 10 and 18 W
- Slender profile fits virtually any furniture, cabinet or display
- Attractive, easy to clean plexiglas cover protects bulb
- Instant starting, Tri Phosphor lamp is quiet and flicker-free
- Plug-in modular system permits easy connection for continuous lighting
- Extremely long bulb life, rated 10,000 hrs.
- Contemporary white housing
- Available in three different lengths: 10", 13", and 20"; width: $1\frac{1}{16}$ "; height: $1\frac{1}{4}$ "
- Available with T4 cool white or warm white bulb, CRI > 82
- Max. lamp watts in line 155
- End of lamp life circuitry to protect ballast (10 + 18 W)





What you'll need to buy

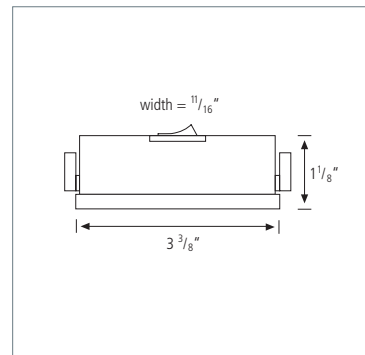
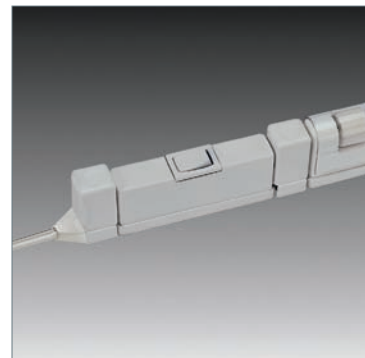
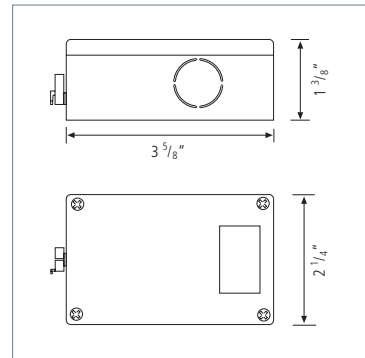
SlimLite Fluorescent Light Fixture

| | Description | Watt | Length | Light Temperature | Code No. |
|----------|-------------|------|--------|--------------------|----------|
| A | ES20 | 18 | 20" | Cool White (4100K) | ES20/P |
| | | | | Warm White (3450K) | ES20WW/P |
| | ES13 | 10 | 13" | Cool White (4100K) | ES13/P |
| | | | | Warm White (3450K) | ES13WW/P |
| | ES10 | 7 | 10" | Cool White (4100K) | ES10/P |
| | | | | Warm White (3450K) | ES10WW/P |

All light fixtures including bulb and plexiglas cover

Accessories

| | Description | Code No. |
|---|-----------------------|-----------|
| B Power Cord | 6' long | SPC/XL |
| | 6' with roller switch | SPC/S/XL |
| Note: Power cords and connecting cables are also available with 90° or straight connectors and in various lengths | | |
| C Connecting Cables | 6" long | SCC6/XL |
| | 1' long | SCC12/XL |
| | 2' long | SCC24/XL |
| | 4' long | SCC48/XL |
| | 6' long | SCC72/XL |
| | 10' long | SCC120/XL |
| D Direct Connector | | SDC/XL |
| E Replacement Bulb | 7W Cool White | SFB7 |
| | 7W Warm White | SFB7WW |
| | 10W Cool White | SFB10 |
| | 10W Warm White | SFB10WW |
| | 18W Cool White | SFB18 |
| | 18W Warm White | SFB18WW |
| F Hardwire Box | | SHWC/XL |
| | with switch | SHWC/S/XL |
| G ON/OFF Rocker Switch | | SRS/XL |



E-Lite2

NEW and Improved!



Economically Priced, Compact Grounded Fluorescent Light Fixture

E-Lite2 is ideal for installation in residential applications as well as lower end or temporary displays. E-Lite2 features many SlimLite XL benefits (connectivity, integrated ballast, small dimensions) at a lower overall quality level. If pricing is the main decision factor, E-Lite2 is the perfect lighting solution.

Product-Features:

- Built-in, medium efficient electronic ballast
- Includes cool white T5 bulb, 4100 K
- Includes plexiglas cover
- Grounded, Plug-in modular system permits easy connection for continuous lighting
- Rated bulb life 10,000 hours
- Available in five different lengths: 12 ⁵/₁₆" , 22 ⁹/₁₆" , 34 ³/₈" , 46 ¹/₄" , 58 ¹/₈"

| T5 | EL2/12 | EL2/23 | EL2/34 | EL2/46 | EL2/59 |
|---------|---------------------------------|---------------------------------|--------------------------------|--------------------------------|--------------------------------|
| Length | 12 ⁵ / ₁₆ | 22 ⁹ / ₁₆ | 34 ³ / ₈ | 46 ¹ / ₄ | 58 ¹ / ₈ |
| Width | ¹³ / ₁₆ | ¹³ / ₁₆ | ¹³ / ₁₆ | ¹³ / ₁₆ | ¹³ / ₁₆ |
| Height | 1 ⁹ / ₁₆ | 1 ⁹ / ₁₆ | 1 ⁹ / ₁₆ | 1 ⁹ / ₁₆ | |
| Watts | 8 | 14 | 21 | 28 | 35 |
| Lumens | 481 | 1269 | 1846 | 2445 | 3512 |
| Voltage | 120 | 120 | 120 | 120 | 120 |



What you'll need to buy:

E-Lite2 Light Fixtures

| Length | Code No. |
|-----------------------------------|----------|
| 12 ⁵ / ₁₆ " | EL2/12 |
| 22 ⁹ / ₁₆ " | EL2/23 |
| 34 ³ / ₈ " | EL2/34 |
| 46 ¹ / ₄ " | EL2/46 |
| 58 ¹ / ₈ " | EL2/59 |

Accessories

| | Description | Code No. | |
|--|------------------------------------|----------------|----------|
| Power Cord | 72" long | EL2PC | |
| | 72" long/90° | EL2PC/90°up | |
| Connecting Cables | 6" long | EL2CC/6 | |
| | 12" long | EL2CC/12 | |
| | 6" long 90° | EL2CC/6/90°up | |
| | 12" long 90° | EL2CC/12/90°up | |
| | | EL2MC | |
| Mounting Clip w/ Direct Connector | | EL2MC | |
| | Replacement Bulb Cool White | 8 Watt | EL2B8CW |
| | | 14 Watt | EL2B14CW |
| | | 21 Watt | EL2B21CW |
| | | 28 Watt | EL2B28CW |
| 35 Watt | | EL2B35CW | |
| Replacement Bulb Warm White | 8 Watt | EL2B8WW | |
| | 14 Watt | EL2B14WW | |
| | 21 Watt | EL2B21WW | |
| | 28 Watt | EL2B28WW | |
| | 35 Watt | EL2B35WW | |
| Hardwire Box | | EL2HWB | |

Please Note: The maximum inline number of fixtures for the Elite2 is eight fixtures, regardless of size.

HighLite

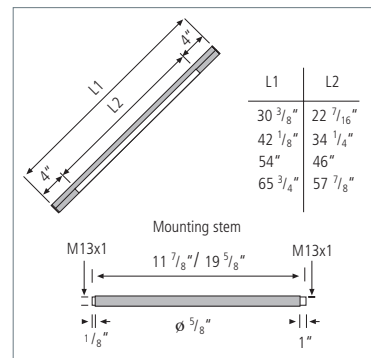
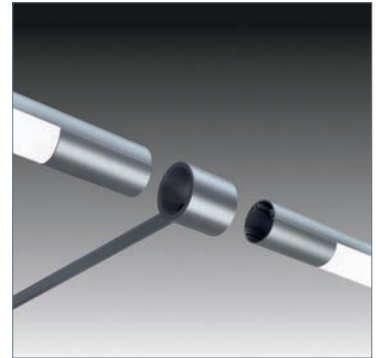


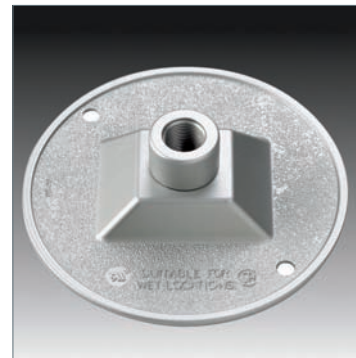
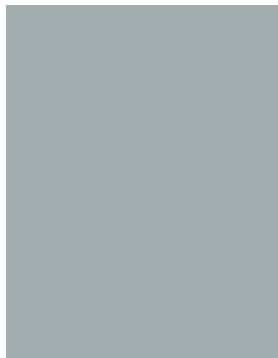
A Stylish New Way To Light Your Displays

The new HighLite from Hera offers an innovative, beautiful and easy alternative to illuminate your displays. In fact, HighLite is so attractive, you won't want to hide it. Now you have a complete, off the shelf solution which is simple to design into all your displays. Its sleek, smart design looks great anywhere.

Product-Features

- Round brushed anodized aluminum housing
- Including plexiglas cover
- Two different lengths of mounting stems available (11 $\frac{3}{8}$ " and 19 $\frac{5}{8}$ ")
- Can be installed vertically or horizontally
- Built-in electronic ballast
- Energy efficient, only 14, 21, 28 and 35 W
- Uses standard T-5 lamps, CRI > 82
- Plug-in modular system and connecting elements permit easy, seamless connection for continuous lighting
- Extremely long bulb life, rated 20,000 hrs.
- Lighting element available in four different lengths: 2' (30 $\frac{3}{8}$ "), 3' (42 $\frac{1}{8}$ "), 4' (54"), 5' (65 $\frac{3}{4}$ ")
- Diameter: 1 $\frac{3}{4}$ "
- Optional wall mounting plate available, fits 4" junction boxes





Wall mounting plate

What you'll need to buy

HighLite System Elements

| Description | Watt | Length | Code No. |
|---------------------|------|----------------------------------|----------|
| 2' Lighting Element | 14 | 30 ³ / ₈ " | HL30 |
| 3' Lighting Element | 21 | 42 ¹ / ₈ " | HL42 |
| 4' Lighting Element | 28 | 54" | HL54 |
| 5' Lighting Element | 35 | 65 ³ / ₄ " | HL65 |

Bulbs have to be ordered separately

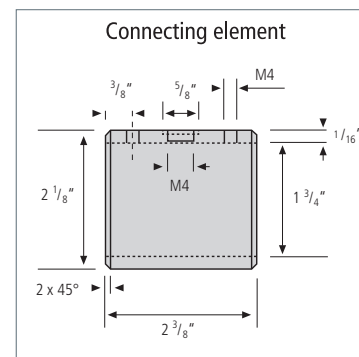
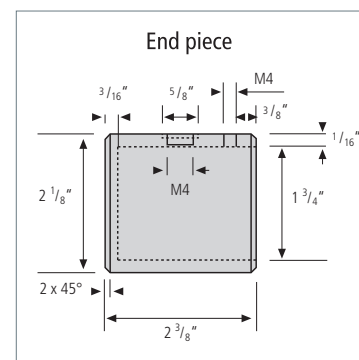
| Description | Length | Code No. |
|---------------|----------------------------------|----------|
| Mounting Stem | 11 ⁷ / ₈ " | HLMS11 |
| Mounting Stem | 19 ⁵ / ₈ " | HLMS19 |

| | |
|---------------------|-------|
| Connecting Element | HLC |
| End Piece | HLE |
| Wall Mounting Plate | HLWMP |

Accessories

| Description | Length | Code No. |
|------------------|--------|-----------|
| Power Cord | 6' | SPC/HL |
| Connecting Cable | 12" | SCC 12/XL |

| | |
|-----------------------------|---------|
| Fluorescent Bulb Cool White | SFB14 |
| Fluorescent Bulb Warm White | SFB14WW |
| Fluorescent Bulb Cool White | SFB21 |
| Fluorescent Bulb Warm White | SFB21WW |
| Fluorescent Bulb Cool White | SFB28 |
| Fluorescent Bulb Warm White | SFB28WW |
| Fluorescent Bulb Cool White | SFB35 |
| Fluorescent Bulb Warm White | SFB35WW |



KB12/KBS12



Compact Surface Or Recessed Mounted Spotlight

Designed for various applications, e.g. kitchen cabinets, display cases, exhibits, etc. Ideal for installation in wood and sheet metal.

Product-Features

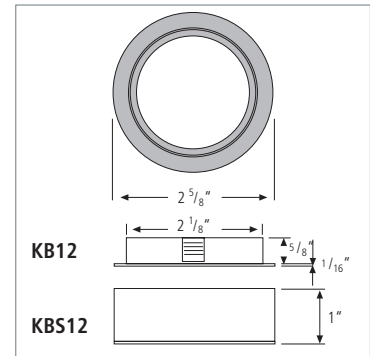
KB12

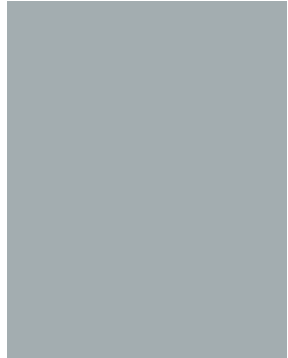
- Recess depth $\frac{5}{8}$ " or $\frac{1}{2}$ " (with spacer ring R12)
- Highly polished aluminum reflector
- Friction fit
- Easy to relamp
- Clear or frosted tempered glass lens
- 12 V/10 or 20 W bulb included
- Attached 72" connecting cable with NV6 plug
- Available in white, black, chrome, stainless steel and gold
- Special accessories available:
R12-Spacer ring to reduce recess depth
- Can be used with 10,000 hrs. Xenon bi-pin bulb (special order)

4,000 hrs. Osram bulb included

KBS12

- Same as KB12 but surface mounted
- Overall surface height 1"
- Available in complete sets of 2, 3 or 5 lights





What you'll need to buy

Spotlights

KB12

Recessed, 20 W

| Finish | Code No. |
|-----------------|----------|
| White | KB1220WH |
| Black | KB1220BL |
| Chrome | KB1220CH |
| Gold | KB1220GO |
| Stainless Steel | KB1220SS |

KBS12

Surface mounted, 20 W

| Finish | Code No. |
|-----------------|-----------|
| White | KBS1220WH |
| Black | KBS1220BL |
| Chrome | KBS1220CH |
| Gold | KBS1220GO |
| Stainless Steel | KBS1220SS |

Transformers (for specs refer to pages 78, 80)

| Description | Code No. |
|------------------|----------|
| Premium 60 Watt | UC-60FT |
| Premium 120 Watt | UK-120TW |

Optional accessories

| Description | Refer to pages |
|-------------------|----------------|
| Dimmers | 81 – 82 |
| Connecting Cables | 83 |
| Terminal Blocks | 83 |

The KB12 spotlights can also be purchased in complete kits of 2, 3 and 5 light fixtures, including transformer, connecting cables and all hardware. Refer to pages 66 – 67 of the catalog.

ARF20 /ARFS20



Low-Profile Recessed Or Surface Mounted Halogen Spotlight

This friction fit spotlight is designed for installation in kitchen cabinets, display cases and furniture. The ARF is the highest quality halogen spotlight and perfectly suitable for commercial applications.

Product-Features

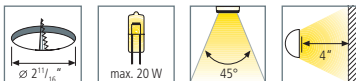
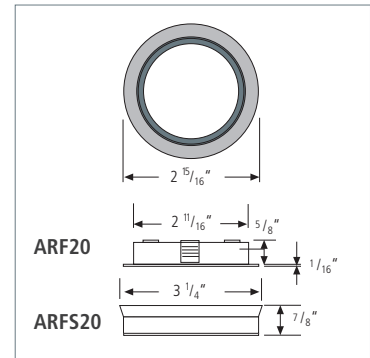
4,000 hrs. Osram bulb included

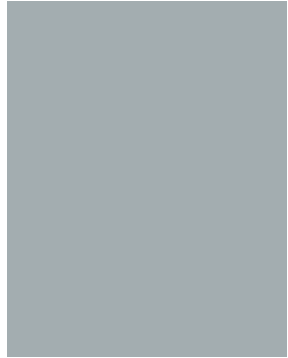
ARF20

- Recess depth only $\frac{5}{8}$ " or $\frac{1}{2}$ " (with spacer ring DR13)
- Highly polished aluminum reflector
- Includes 12 V/20 W bulb
- Friction fit
- Easy to relamp
- Same design as CBS20 but for under-the-cabinet applications
- Overall surface height less than $\frac{1}{16}$ "
- Frosted tempered glass lens
- Attached 72" connecting cable with NV6 plug
- Available in white, black, chrome, stainless steel and gold
- Special accessories available:
DR13 - Spacer ring to reduce recessed depth
- Can be used with 10,000 hrs. Xenon bi-pin bulb (special order)

ARFS20

- Same as ARF20 but surface mounted
- Overall height only $\frac{7}{8}$ "
- Available in complete sets of 2, 3 or 5 lights





What you'll need to buy

Spotlights

ARF20

Recessed, 20 W

| Finish | Code No. |
|-----------------|----------|
| White | ARF20WH |
| Black | ARF20BL |
| Chrome | ARF20CH |
| Gold | ARF20GO |
| Stainless Steel | ARF20SS |

ARFS20

Surface mounted, 20 W

| Finish | Code No. |
|-----------------|----------|
| White | ARFS20WH |
| Black | ARFS20BL |
| Chrome | ARFS20CH |
| Gold | ARFS20GO |
| Stainless Steel | ARFS20SS |

Transformers (for specs refer to pages 78, 80)

| Description | Code No. |
|------------------|----------|
| Premium 60 Watt | UC-60FT |
| Premium 120 Watt | UK-120TW |

Optional Accessories

| Description | Refer to pages |
|-------------------|----------------|
| Dimmers | 81 – 82 |
| Connecting Cables | 83 |
| Terminal Blocks | 83 |

The ARF spotlights can also be purchased in complete kits of 2, 3 and 5 light fixtures, including transformer, connecting cables and all hardware. Refer to pages 66 – 67 of the catalog.

Arclamp



The Overwhelming Light Fixture

Attractive design, easy to install, various applications, e.g. kitchen, bathroom and living room. Also perfect for displays or exhibition booths.

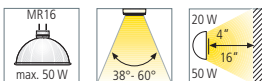
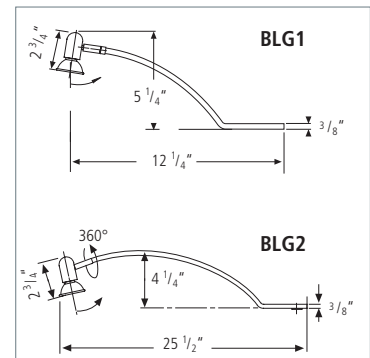
Product-Features

BLG1

- High quality metal housing, 12 1/4" long with swivel head
- Easy installation using welded hold down clamp (2 screws)
- Long life 20, 35 or 50 W, lensed MR16 bulb included
- Attached 6" connecting cable with NV6 plug
- High light output while using minimum energy
- Easy lamp replacement
- Available in chrome, gold, matt nickel, brushed aluminum, black and white
- Very reasonably priced
- Special order colors and sizes are available for minimum quantities
- Incl. 79" connecting cable
- LED adaptable with MR16LED

BLG2

- Same as BLG1 but 25 1/2" long





What you'll need to buy

Spotlights

BLG1 Arclamp, with swivel head

| Finish | Code No. |
|--------------|------------|
| White | BLG1/20WH |
| Black | BLG1/20BL |
| Chrome | BLG1/20CH |
| Matte Chrome | BLG1/20MCH |
| Matte Nickel | BLG1/20NI |

BLG2 Arclamp, long with swivel head

| Finish | Code No. |
|--------------|------------|
| White | BLG2/50WH |
| Black | BLG2/50BL |
| Chrome | BLG2/50CH |
| Matte Chrome | BLG2/50MCH |
| Matte Nickel | BLG2/50NI |

Transformers (for specs refer to pages 78, 80)

| Description | Code No. |
|------------------|----------|
| Premium 60 Watt | UC-60FT |
| Premium 120 Watt | UK-120TW |

| Description | Refer to pages |
|-------------------------------------|----------------|
| Dimmers | 81 – 82 |
| Connecting Cables | 83 |
| Terminal Blocks | 83 |
| Replacement Bulbs including MR16LED | 84 |

EH24



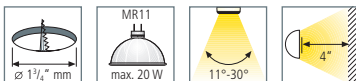
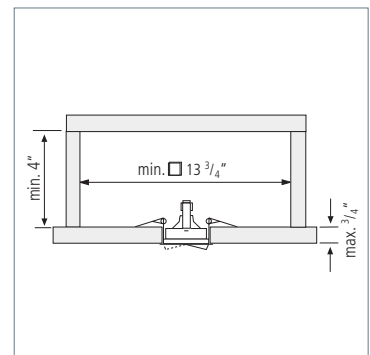
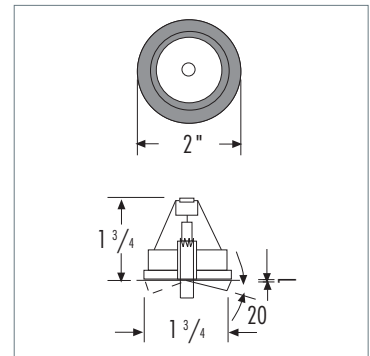
Recessed Swivel Halogen Spotlight

Ideally suited for installation inside cabinets, furniture and showcases as accent lighting, direct illumination, etc.

Product-Features

EH24

- +/- 20 degree swivel
- Recess depth only 1 3/4"
- Metal housing
- Includes 12 V/20 W lensed MR11 bulb
- Attached 6" connecting cable with NV6 plug
- Can be relamped from top or bottom
- Available in white, black, chrome, gold and stainless steel
- Also available in complete kits of 2, 3 or 5 lights
- 4" clearance in height and 13 3/4" across on backside of fixture is necessary
- Incl. 79" connecting cable





What you'll need to buy

Spotlights

EH 24

| Finish | Code No. |
|-----------------|----------|
| White | EH2420WH |
| Black | EH2420BL |
| Chrome | EH2420CH |
| Gold | EH2420GO |
| Stainless Steel | EH2420SS |

Transformers (for specs refer to pages 78, 80)

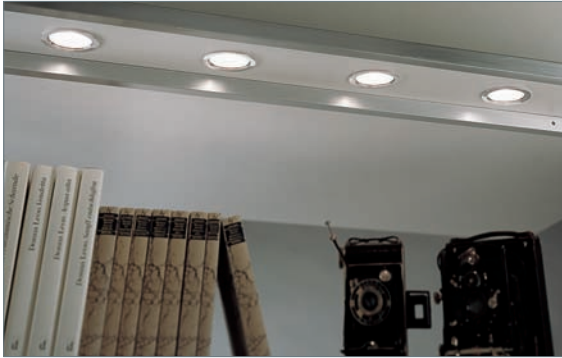
| Description | Code No. |
|------------------|----------|
| Premium 60 Watt | UC-60FT |
| Premium 120 Watt | UK-120TW |

Optional Accessories

| Description | Refer to pages |
|-------------------|----------------|
| Dimmers | 81 – 82 |
| Connecting Cables | 83 |
| Terminal Blocks | 83 |

The EH24 spotlights can also be purchased in complete kits of 2, 3 and 5 light fixtures, including transformer, connecting cables and all hardware. Refer to pages 66 – 67 of the catalog.

Premium Sets



Product-Features

KBS12, EH24 and ARFS Sets

- These low voltage sets consist of halogen spotlights (for recessed or surface mounting), UC-60FT or UK-120TW (5 light sets) transformers, connecting cables and all hardware to make the installation easy
- Available in white, black, chrome, gold and stainless steel
- The sets are packaged in an attractive carton suitable for display
- Available in 2, 3 or 5 light sets

What you'll need to buy

Spotlights

ARFS 2 Light Sets

| Finish | Code No. |
|-----------------|----------------|
| White | E/SET1ARFS20WH |
| Black | E/SET1ARFS20BL |
| Chrome | E/SET1ARFS20CH |
| Gold | E/SET1ARFS20GO |
| Stainless Steel | E/SET1ARFS20SS |

ARFS 5 Light Sets

| Finish | Code No. |
|-----------------|----------------|
| White | E/SET3ARFS20WH |
| Black | E/SET3ARFS20BL |
| Chrome | E/SET3ARFS20CH |
| Gold | E/SET3ARFS20GO |
| Stainless Steel | E/SET3ARFS20SS |

ARFS 3 Light Sets

| Finish | Code No. |
|-----------------|----------------|
| White | E/SET2ARFS20WH |
| Black | E/SET2ARFS20BL |
| Chrome | E/SET2ARFS20CH |
| Gold | E/SET2ARFS20GO |
| Stainless Steel | E/SET2ARFS20SS |

KBS12 2 Light Sets

| Finish | Code No. |
|-----------------|---------------|
| White | E/SET1KBS20WH |
| Black | E/SET1KBS20BL |
| Chrome | E/SET1KBS20CH |
| Gold | E/SET1KBS20GO |
| Stainless Steel | E/SET1KBS20SS |



KBS12 3 Light Sets

| Finish | Code No. |
|-----------------|---------------|
| White | E/SET2KBS20WH |
| Black | E/SET2KBS20BL |
| Chrome | E/SET2KBS20CH |
| Gold | E/SET2KBS20GO |
| Stainless Steel | E/SET2KBS20SS |

EH24 2 Light Sets

| Finish | Code No. |
|-----------------|--------------|
| White | E/SET1EH24WH |
| Black | E/SET1EH24BL |
| Chrome | E/SET1EH24CH |
| Gold | E/SET1EH24GO |
| Stainless Steel | E/SET1EH24SS |

EH24 5 Light Sets

| Finish | Code No. |
|-----------------|--------------|
| White | E/SET3EH24WH |
| Black | E/SET3EH24BL |
| Chrome | E/SET3EH24CH |
| Gold | E/SET3EH24GO |
| Stainless Steel | E/SET3EH24SS |

KBS12 5 Light Sets

| Finish | Code No. |
|-----------------|---------------|
| White | E/SET3KBS20WH |
| Black | E/SET3KBS20BL |
| Chrome | E/SET3KBS20CH |
| Gold | E/SET3KBS20GO |
| Stainless Steel | E/SET3KBS20SS |

EH24 3 Light Sets

| Finish | Code No. |
|-----------------|--------------|
| White | E/SET2EH24WH |
| Black | E/SET2EH24BL |
| Chrome | E/SET2EH24CH |
| Gold | E/SET2EH24GO |
| Stainless Steel | E/SET2EH24SS |

Optional Accessories

| Description | Refer to pages |
|-------------------|----------------|
| Dimmers | 81 – 82 |
| Connecting Cables | 83 |
| Terminal Blocks | 83 |

Wave

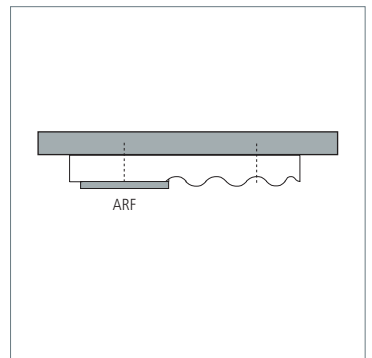
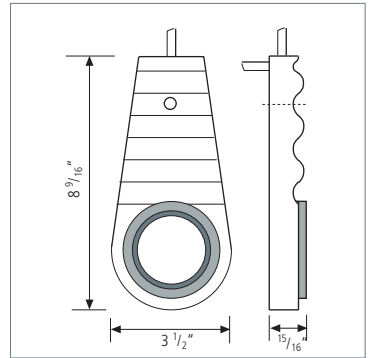


The Latest Design Innovation For Under-Cabinet Applications

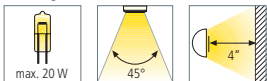
Innovative lighting design for innovative furniture, cabinet and display creations.

Product-Features

- Available with integrated ARF12 V/20 W halogen lamp
- Extremely easy installation with only one screw
- Attached 70" connecting cable
- Finishes: matt chrome or stainless steel



For halogen version





What you'll need to buy

Spotlights

Wave

| Finish | Code No. |
|-----------------|------------|
| Matte Chrome | ARFWAVEMCH |
| Stainless Steel | ARFWAVESS |

Transformers (for specs refer to pages 78, 80)

| Description | Code No. |
|------------------|----------|
| Premium 60 Watt | UC-60FT |
| Premium 120 Watt | UK-120TW |

Optional Accessories

| Description | Refer to pages |
|-------------------|----------------|
| Dimmers | 81 – 82 |
| Connecting Cables | 83 |
| Terminal Blocks | 83 |

TriTech



Light Years Ahead In Form And Function

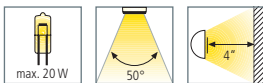
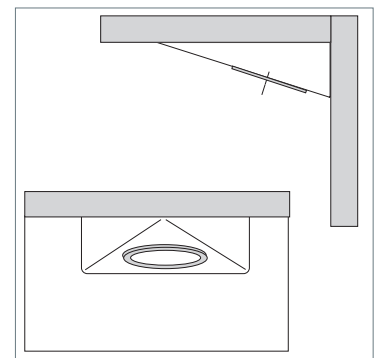
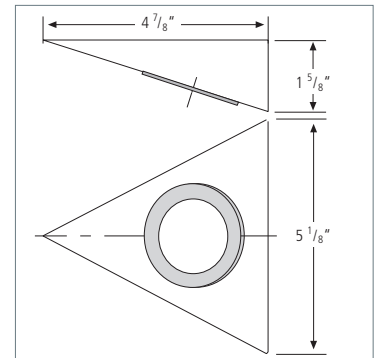
Elegant stainless steel housing. Ready to connect with the convenient Hera plug-in system. The stylish new TriTech goes under cabinets and over entertainment areas, enriching your beautiful design.

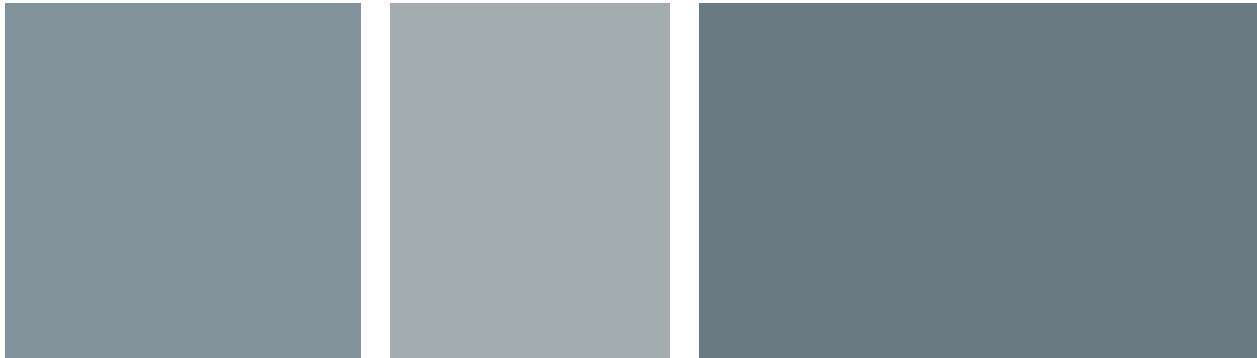
Product-Features

TR20

4,000 hrs. Osram bulb included

- High quality triangle housing available in brushed stainless steel, copper and white
- Extremely easy installation with only one screw
- Convenient integration into Hera halogen systems
- Integrated halogen spot KB12 V/20 W, available in: stainless steel, copper and white
- Attached 72" connecting cable
- Can be used with 10,000 hrs. Xenon bi-pin bulb (special order)
- To be used with Hera electronic transformers





What you'll need to buy

Spotlights

TriTech

| Finish | Code No. |
|-----------------|----------|
| Copper | TR20CO |
| Stainless Steel | TR20SS |
| White | TR20WH |

Transformers (for specs refer to pages 78, 80)

| Description | Code No. |
|------------------|----------|
| Premium 60 Watt | UC-60FT |
| Premium 120 Watt | UK-120TW |

Optional Accessories

| Description | Refer to pages |
|-------------------|----------------|
| Dimmers | 81 – 82 |
| Connecting Cables | 83 |
| Terminal Blocks | 83 |

ArcTech



Light Years Ahead In Simplicity And Style

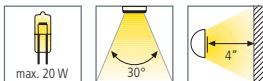
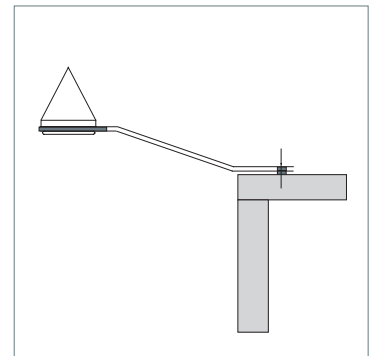
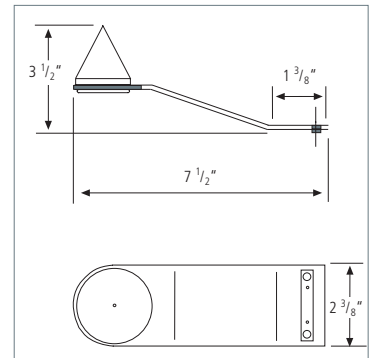
Graceful stainless steel arc. "Effortless" installation. Ready to connect with Hera plug-in system. The new ArcTech luminaire is poetry in motion over bookshelves, cabinets and entertainment areas.

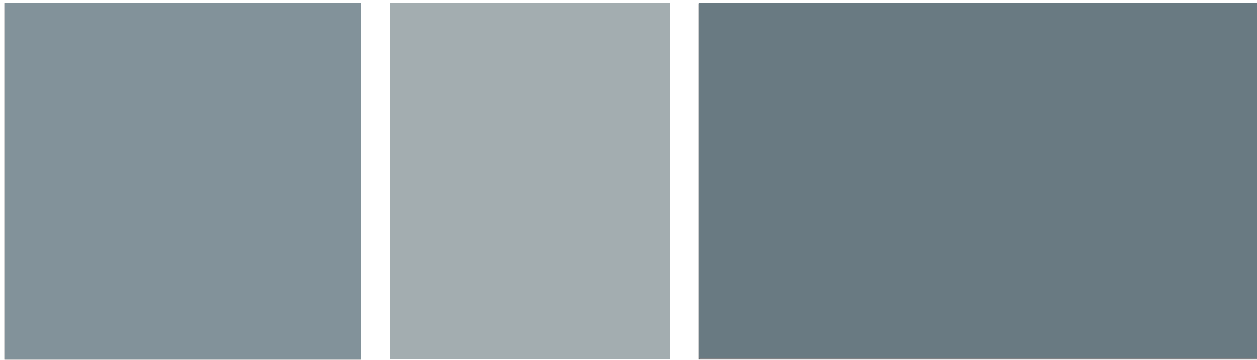
Product-Features

4,000 hrs. Osram bulb included

AL20

- High quality housing of brushed stainless steel
- Integrated halogen spot MH14, 12 V/20 W
- Convenient integration into Hera halogen systems
- Decorative cone and trim ring available in stainless steel
- Can be used with 10,000 hrs. Xenon bi-pin bulb (special order)
- To be used with Hera electronic transformers
- Incl. 79" connecting cable





What you'll need to buy

Spotlights

ArcTech

| Finish | Code No. |
|-----------------|----------|
| Stainless Steel | AL20SS |

Transformers (for specs refer to pages 78, 80)

| Description | Code No. |
|------------------|----------|
| Premium 60 Watt | UC-60FT |
| Premium 120 Watt | UK-120TW |

Optional Accessories

| Description | Refer to pages |
|-------------------|----------------|
| Dimmers | 81 – 82 |
| Connecting Cables | 83 |
| Terminal Blocks | 83 |

ER1/ES1



Economically Priced Recessed Or Surface Mounted Halogen Spotlight

Accent lighting for vanities, displays, furniture, kitchen cabinets or boats.

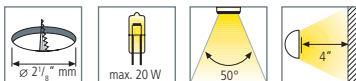
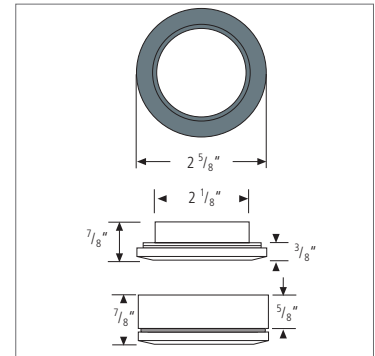
Product-Features

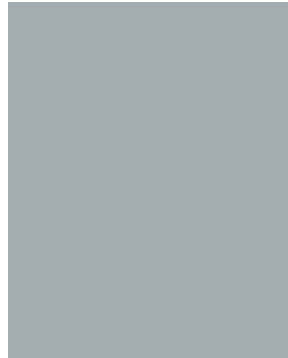
ER1

- Recess depth only $\frac{5}{8}$ " or $\frac{1}{2}$ " (with spacer ring DR1)
- Aluminum reflector
- Screw on decor-ring
- Friction fit
- Easy to relamp
- 12 V/10 or 20 W bulb included
- Attached 79" connecting cable with NV6 plug
- Available in white, black, chrome, stainless steel and gold
- Special accessories available: DR1-spacer ring

ES1

- Same as ER1 but surface mounted
- Overall height only $\frac{7}{8}$ "
- Available in complete kits of 2, 3 or 5 lights





What you'll need to buy

Spotlights

ER1

Recessed, 20 W

| Finish | Code No. |
|-----------------|----------|
| White | ER120WH |
| Black | ER120BL |
| Chrome | ER120CH |
| Gold | ER120GO |
| Stainless Steel | ER120SS |

ES1

Surface mounted, 20 W

| Finish | Code No. |
|-----------------|----------|
| White | ES120WH |
| Black | ES120BL |
| Chrome | ES120CH |
| Gold | ES120GO |
| Stainless Steel | ES120SS |

Transformers (for specs refer to pages 78 – 80)

| Description | Code No. |
|------------------|----------|
| Ecoline 60 Watt | UE-E60FT |
| Premium 60 Watt | UC-60FT |
| Premium 120 Watt | UK-120TW |

Optional Accessories

| Description | Refer to pages |
|-------------------|----------------|
| Dimmers | 81 – 82 |
| Connecting Cables | 83 |
| Terminal Blocks | 83 |

ES1 2 Light Sets, 20 W

| Finish | Code No. |
|-----------------|---------------|
| White | C/SET1ES120WH |
| Black | C/SET1ES120BL |
| Chrome | C/SET1ES120CH |
| Gold | C/SET1ES120GO |
| Stainless Steel | C/SET1ES120SS |

ES1 3 Light Sets, 20 W

| Finish | Code No. |
|-----------------|---------------|
| White | C/SET2ES120WH |
| Black | C/SET2ES120BL |
| Chrome | C/SET2ES120CH |
| Gold | C/SET2ES120GO |
| Stainless Steel | C/SET2ES120SS |

ES1 5 Light Sets, 20 W

| Finish | Code No. |
|-----------------|---------------|
| White | C/SET3ES120WH |
| Black | C/SET3ES120BL |
| Chrome | C/SET3ES120CH |
| Gold | C/SET3ES120GO |
| Stainless Steel | C/SET3ES120SS |

These sets include UE-E60FT transformers, connecting cables and all hardware to make the installation easy

XR1/XS1



Surface Or Recessed Mounted Xenon Spotlights

Accent lighting for vanities, displays, furniture, kitchen cabinets or boats. Hera Xenon fixtures combine the advantages of a long bulb life and lower bulb temperatures.

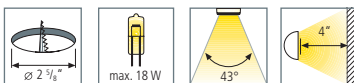
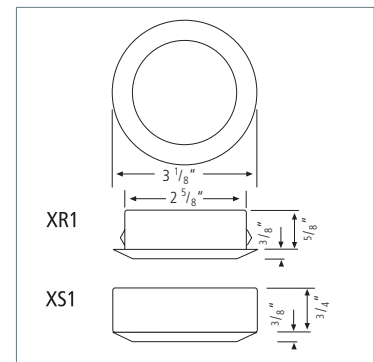
Product-Features

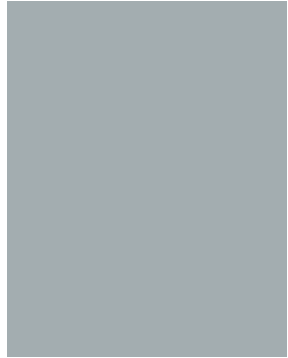
XR1

- Recess depth only $\frac{5}{8}$ "
- Aluminum reflector
- Frosted tempered glass lens
- Easy to relamp
- 12 V/18 W Xenon bulb included, 8,000 hrs. lifetime
- Attached 79" connecting cable with NV6 plug
- Available in white, black, chrome, stainless steel and gold
- To be used with Hera electronic transformers

XS1

- Same as XR1 but surface mounted
- Overall height only $1 \frac{1}{8}$ "





What you'll need to buy

Spotlights

XR1

Recessed

| Finish | Code No. |
|-----------------|----------|
| White | XR1WH |
| Black | XR1BL |
| Chrome | XR1CH |
| Gold | XR1GO |
| Stainless Steel | XR1SS |

XS1

Surface mounted

| Finish | Code No. |
|-----------------|----------|
| White | XS1WH |
| Black | XS1BL |
| Chrome | XS1CH |
| Gold | XS1GO |
| Stainless Steel | XS1SS |

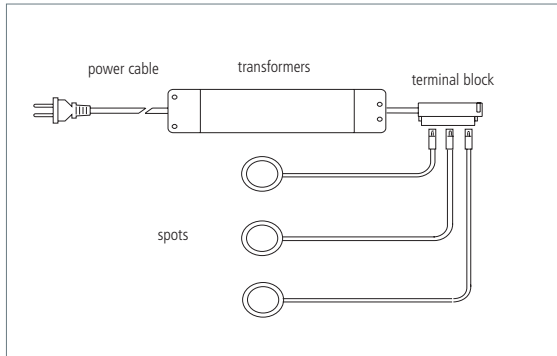
Transformers (for specs refer to pages 78 – 80)

| Description | Code No. |
|------------------|----------|
| Premium 60 Watt | UC-60FT |
| Premium 120 Watt | UK-120TW |
| EcoLine 60 Watt | UE-E60FT |

Optional Accessories

| Description | Refer to pages |
|-------------------|----------------|
| Dimmers | 81 – 82 |
| Connecting Cables | 83 |
| Terminal Blocks | 83 |

UC-60FT



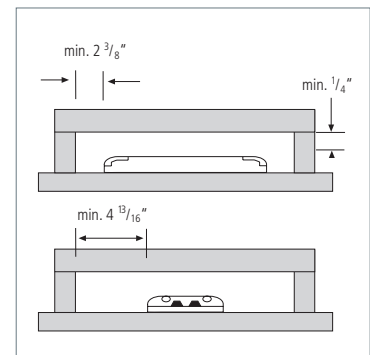
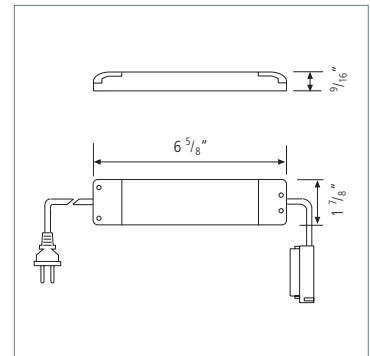
Ultra-Slim Electronic Premium Transformer

Its height of only $\frac{1}{2}$ " makes this transformer the preferred choice for even the tightest areas. This high-end transformer features an integrated radio frequency interference suppressor. It's especially recommended for commercial applications, entertainment centers, etc.

Product-Features

UC-60FT

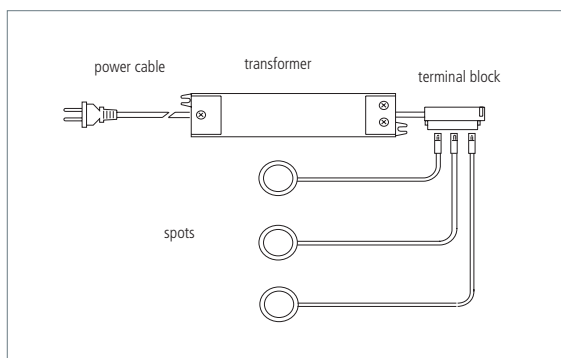
- Ultra-slim, only $\frac{1}{2}$ " high
- 110 V/11.5 V eff, 10 – 60 VA
- Weight only 3.2 oz
- Short Circuit protection
- Overload protection
- Overheat protection
- Soft start for maximum lamp life
- Dimmable with standard dimmers
- Radio Frequency Interference Suppressor
- Voltage compensation circuit
- 79" plug-in power cord
- 10" 12 V connector with NVK6/3 plug-in terminal
- Auto reset technology – no fuses



What you'll need to buy

| Description | Code No. |
|--------------------------|----------|
| Premium Transformer 60 W | UC-60FT |

UE-E60FT



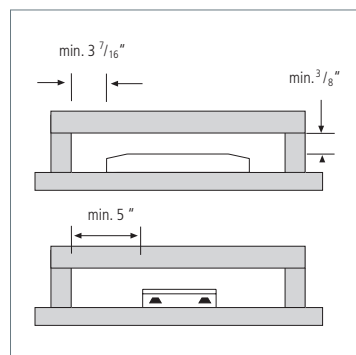
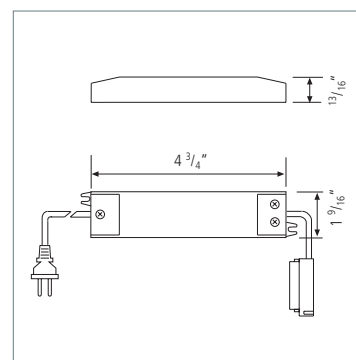
Compact Electronic Ecoline Transformer

New Compact Economically Priced Electronic Transformer. This transformer uses latest SMD technology. Standard power supply, suitable for all Hera halogen spotlights. Perfect for residential applications.

Product-Features

UE-E60FT

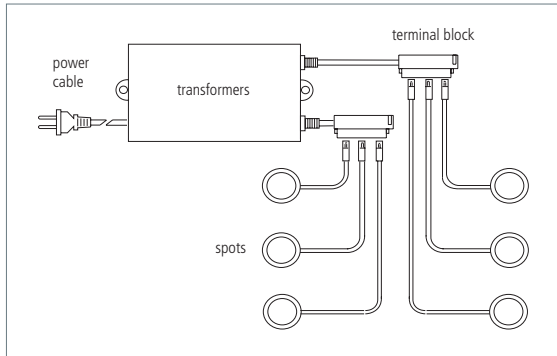
- 110 V/11.5 V eff, 10 – 60 VA
- Weight only 3.2 oz
- Short Circuit protection
- Overload protection
- Overheat protection
- Soft start for maximum lamp life
- Dimmable with standard dimmers
- Voltage compensation circuit
- 79" plug-in power cord
- 10" 12 V connector with NVK6/3 plug-in terminal
- Auto reset technology – no fuses



What you'll need to buy

| Description | Code No. |
|--------------------------|----------|
| Ecoline Transformer 60 W | UE-E60FT |

UK-120TW



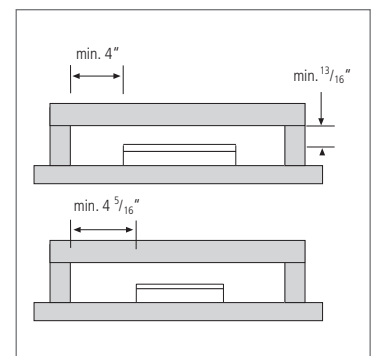
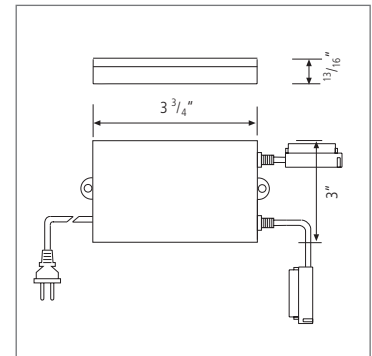
New 120 VA Class II Premium Electronic Transformer

Finally, a 120 VA transformer which meets UL's strictest Class II requirements. This high-end transformer features an integrated radio frequency interference suppressor which makes it perfect for commercial and residential applications.

Product-Features

UK-120TW

- Very compact dimensions
- 110 V/11.5 V eff, 20 – 120 VA
- Weight only 4.8 oz
- Short Circuit protection
- Overload protection
- Overheat protection
- Soft start for maximum lamp life
- Dimmable with standard dimmers
- Radio Frequency Interference Suppressor
- Voltage compensation circuit
- 79" plug-in power cord
- 2 x 10" 12 V connector with NVK6/3 plug-in terminal
- Auto reset technology – no fuses



What you'll need to buy

| Description | Code No. |
|---------------------------|----------|
| Premium Transformer 120 W | UK-120TW |

ETD1/ETD1/TP



Touch Dimmer

Four level dimmer. For fingertip control of switching and dimming – just connect the touch control wire to any metallic surface, e.g. cabinet hinge, metal screw, metal knob, etc. or use the touch pad version when a metal surface is not available.

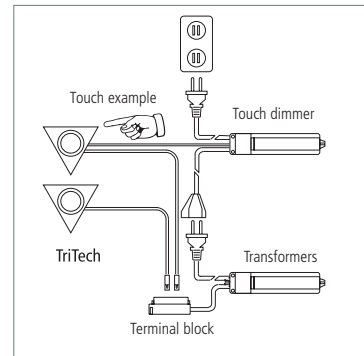
Product-Features

ETD1

- 110 V/60Hz maximum 300 W
- Can be used with 1– 5 60 W or 1– 2 120 W electronic transformers
- Provides 4 level linear dimming: off, 50 %, 75 %, 100 %
- Easy installation – no wiring necessary

ETD1/TP

- Same as above, but with touch pad



What you'll need to buy

| Description | Code No. |
|-----------------------------|----------|
| Touch Dimmer | ETD1 |
| Touch Dimmer with Touch Pad | ETD1/TP |

ERD1



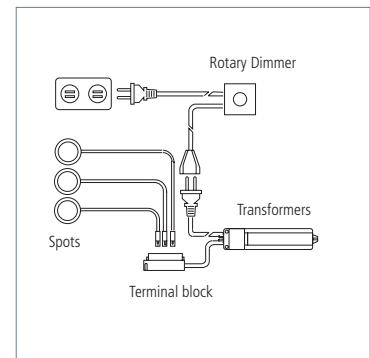
Rotary Dimmer

Full range dimmer for all Hera halogen systems.

Product-Features

ERD1

- 110 V/60Hz maximum 300 W
- Can be used with 1– 5 60 W or 1– 2 120 W electronic transformers
- Provides linear dimming from 0 – 100 %
- Easy installation – no wiring necessary
- Available in black or white



What you'll need to buy

| Description | Code No. |
|---------------|----------|
| Rotary Dimmer | ERD1 |

Connecting Cable 2NV6 Terminal Block NVK6/4



Connecting Cable 2NV6

Low voltage cable for variable length connections between Hera transformer and halogen spotlights.

Product-Features

2NV6

- Available in four different lengths: 20", 39", 79" and 119"
- NV6 plugs for easy connections on both ends
- Max. distance 16' between spotlight and transformer

What you'll need to buy

| Length | Code No. |
|--------|----------|
| 20" | 2NV6500 |
| 39" | 2NV61000 |
| 79" | 2NV62000 |
| 119" | 2NV63000 |

Terminal Block NVK6/4

Low voltage connector for all Hera 10 W halogen spotlights.

Product-Features

NVK6/4

- To be used if more than three 10 W halogen spotlights need to be connected to one transformer
- Easy plug-in installation
- Allows connections of up to six or twelve 10 W halogen spotlights to one Hera transformer

What you'll need to buy

| Description | Code No. |
|----------------|----------|
| Terminal Block | NVK64 |

Halogen & Xenon Bulbs



1



2



3

What you'll need to buy

| 1 | Description | Watt | Hours | Code No. |
|---|-------------------------------|------|--------|----------|
| | Premium Halogen Bulb | 10 W | 4,000 | PB10 |
| | Premium Halogen Bulb | 20 W | 4,000 | PB20 |
| | Ecoline Halogen Bulb | 10 W | 2,000 | EB10 |
| | Ecoline Halogen Bulb | 20 W | 2,000 | EB20 |
| | Ecoline Halogen Bulb, frosted | 20 W | 2,000 | EBF20 |
| | Xenon Bulb | 10 W | 10,000 | X-HB10 |
| | Xenon Bulb | 20 W | 10,000 | X-HB20 |
| | Xenon Bulb for XR1/XS1 | 18 W | 8,000 | X-B18 |

| 2 | Description | Watt | Hours | Code No. |
|---|---------------------------------|------|-------|----------|
| | MR 11 Halogen Bulb for EH 24 | 20 W | 3,000 | BEH24 |
| | MR 16 Halogen Bulb for Arclamps | 20 W | 3,000 | MR1620 |
| | MR 16 Halogen Bulb for Arclamps | 35 W | 3,000 | MR1635 |
| | MR 16 Halogen Bulb for Arclamps | 50 W | 3,000 | MR1650 |

| 3 | Description | Watt | Hours | Code No. |
|---|---|---------|--------|----------|
| | MR 16 LED Bulb for Arclamps, Cool White | 3 x 1 W | 50,000 | MR16LED |

Store Fixtures & Displays



HO-LED1 and SlimLite XL was used as a retrofit for this Canadian pharmacy. The company saved \$1 million per year in energy and lamp change costs, reduced failure rates and consolidated ballasts to one manufacturer.



By replacing the Swivel Spot in the ceiling with Stick2-LEDs on the shelves, not only is the merchandise directly illuminated helping to increase sales, but energy costs are less and maintenance is a thing of the past.



Backlighting glass or plexiglas used to be a real challenge. With SlimLite XL this is no longer an issue. The light fixture is small enough to fit into the tightest applications while providing powerful, even illumination without any dark areas or hot spots.

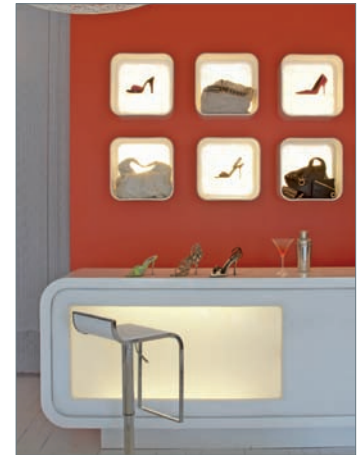
Store Fixtures & Displays



Stick2-LED offers maximum lighting impact with its low profile, which can be applied to very confined places such as these wine case displays.



Stick2-LED and Big6-LEDs help save on energy and maintenance costs.



Stick2-LEDs produce virtually no heat so they are the perfect solution for retail displays as they will not damage merchandise.

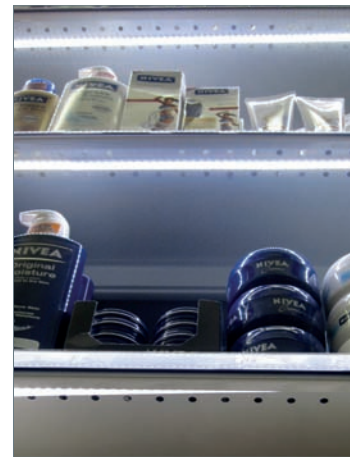
Store Fixtures & Displays



This lingerie store in Toronto, Canada uses **Slimlite XL** to illuminate this shelving display for a dramatic increase of Eye To Product Ratio.



Hera's **ARF-LEDs** are used in this shelving display for a flagship store in Shanghai, China.



Stick2-LEDs line the underneath of these shelves with no dark spots. The integrated connecting system allows for continuous rows of light.

Store Fixtures & Displays



Bakery and deli cases are perfect applications for **SlimLite XL-LED**. The small dimensions and the connecting system make the integration easy. **SlimLite XL-LED's** low heat emission will ensure unspoiled food and prevent bread from "sweating". In addition, the light fixture is highly efficient and will reduce maintenance costs.



Hera offers a variety of **lighting systems** for retail applications. All these systems have one thing in common: they combine lower upfront costs with energy efficiency, high light output and minimal maintenance expenses, offering you an attractive Return of Investment.



The **ARF-LEDs** spotlight is the ideal lighting solution for shoe displays. The spotlight will not damage shoes because it does not emit any UV radiation. Virtually no heat emission makes it safe for your customers.

Store Fixtures & Displays



HighLite: Not only does **HighLite** provide a perfect illumination, it also adds to the design of your displays. Integrating lighting is no longer a headache, but a pleasure for today's designers.

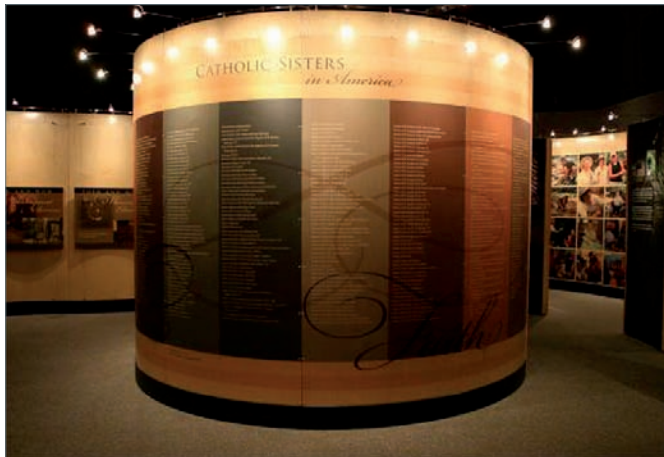


SlimLite XL and **SlimLiteXL-LED** are the ideal lighting solution for retail shelf illumination. The small dimensions and integrated connecting systems make the installation very easy. A high light output illuminates merchandise properly. On top of that, both the **SlimLiteXL** and **SlimLite XL-LED** are very energy efficient and have a long lamp life.

Store Fixtures & Displays



Hera's KB12-LEDs and ER-LEDs are the perfect fit for these displays. Not only do the lights have a high output, but they are economically priced making it the ideal solution for temporary or modular displays.

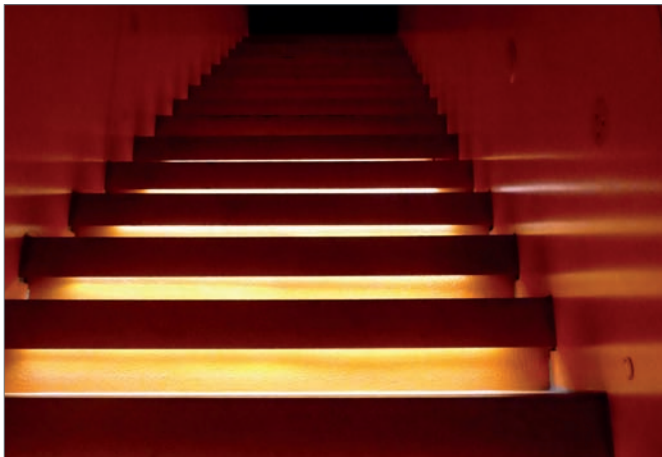


The challenge for the lighting designer on this project was to find lighting fixtures that would complement the rich elegant feel of the exhibit, yet be durable enough to withstand travel and touring conditions. Hera's recessed and strip LED products showcased artifacts enclosed in display cases and shadow boxes. Since Hera's LED fixtures have virtually no heat emission and no ultraviolet radiation, they are ideal for illuminating heat sensitive objects.

Commercial | Healthcare



HO-LEDs are illuminating the world's largest ferris wheel in Singapore.



Even staircases can be illuminated using **Stick-LED** and **Twinstick-LED**. They offer adequate light to not only allow high visibility but also give an amazing decorative element.

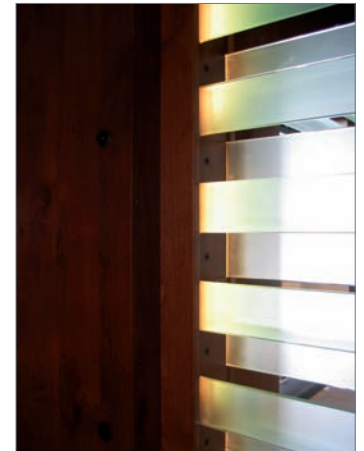


Lighting up water or other beverages is an easy task with Hera LEDs since there is no heat generated to heat up the product.

Commercial | Healthcare



Stick2-LED provide accent lighting capabilities that enhance the overall design with its continuous lighting and no dark spots.



SlimLite XL is used in this divider wall in the lobby of an upscale resort. Lighting is not only for illumination but compact case good lighting can be incorporated into the overall design of a space.

Commercial/Healthcare



LEDs, such as Hera's **KB12-LED**, **Stick2-LED** and **Big6-LED** offer adequate and appropriate exposure to light, which is critical for health and well being of patients, as well as staff in healthcare settings.

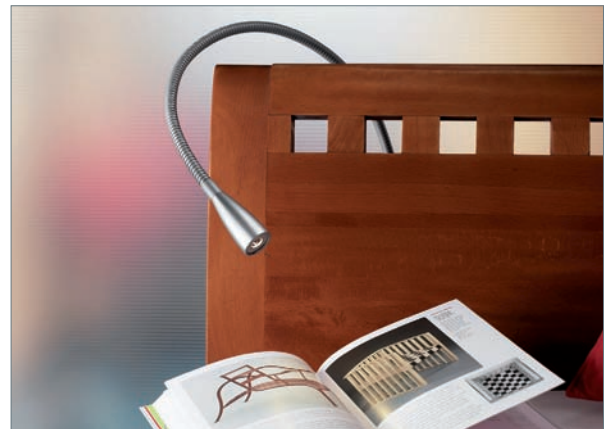


SlimLiteXL is the perfect solution for office environments. It offers exceptional light output with maximum energy efficiency. Proper lighting helps employees stay focused and on task during a busy work day.

Hospitality



The **Big6-LED** is easily integrated into this headboard display. It offers a low energy alternative illumination for hotel environments.



The **Flex-LED** reading lamps use less energy consumption and **Tape-LED** provides soft accent lighting behind the headboard.

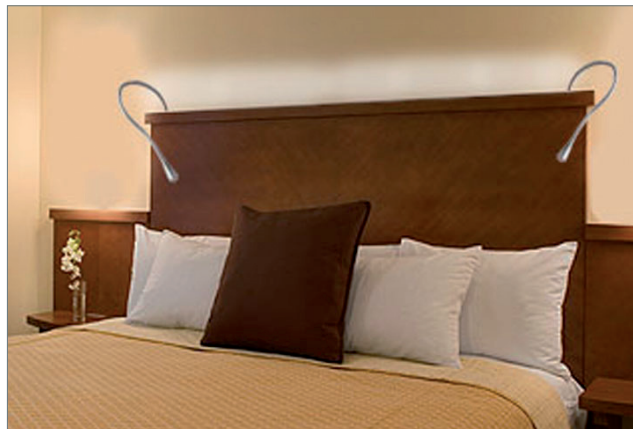
Hospitality



Hera's **Stick2-LED** and **TwinStick2-LED** can be mounted into this headboard display for added light and ambience in the room. With its low energy consumption and long lamp life, it helps save money on energy costs and maintenance.



SlimLiteXL helps to illuminate this free standing sink display in a hospitality environment. Not only do they provide ambient lighting, but they also function as a decorative element.



Flex-LED is ideal for using as a reading light in headboards. The flexible arm allows an exact direction of light to be focused where it is needed.

Hospitality



LEDs such as Hera's **KB12-LEDs** can be integrated into wood paneling on floor boards.



Stick2-LEDs allow for endless opportunities to incorporate the low footprint into overall design.



Hera's Linear LEDs add a decorative element as well as add significant light to entry ways..

Kitchen Cabinets | Residential



Arclamps and **KB12**: In today's world, a kitchen is unfinished without proper illumination. Show your kitchen investment in its best light! With **Arclamps** on top and **KB12** under the cabinet you have the perfect combination.



Stick2-LED and **KB12-LEDs** are the perfect solution for under cabinet and in-cabinet lighting. These low profile lights require no maintenance, have low energy consumption and offer endless design integration. You can view a video of how to install these lights in this kitchen at: www.youtube.com/watch?v=j0b4-SwfEws

Kitchen Cabinets | Residential



Hera's **ARF-LED** is used in this high end residential closet remodel. Using virtually no heat and no UV, the **ARF-LED** offers total elimination of fading clothing and shoes.



Hera's under cabinet luminaries offer brilliant lighting solutions for even the smallest spaces. The outstanding feature of these systems is their shallow recess depth for different diameter luminaires, which makes them suitable for almost any need.



The total flexibility of our lighting solutions makes it very easy to add LED or halogen lighting to bars to create that special atmosphere you are looking for to entertain your customers and friends.

Hera Lighting Systems – For a night to remember.

Signs and Symbols



Underwriters Laboratories Inc. – Listing mark for the USA



Underwriters Laboratories Inc. – Listing mark for Canada



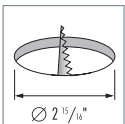
Intertek Testing Services – Listing mark for the USA



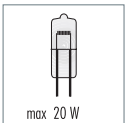
Intertek Testing Services – Listing mark for Canada



New York City Department of Buildings



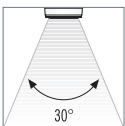
Necessary hole diameter for recessed spotlight



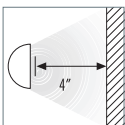
Maximum bulb wattage which can be used in a particular halogen spotlight



Maximum bulb wattage for MR 11 and MR 16 bulbs which can be used in a particular halogen spotlight



Beam angle



Minimum clearance to combustible materials in front of a spotlight